



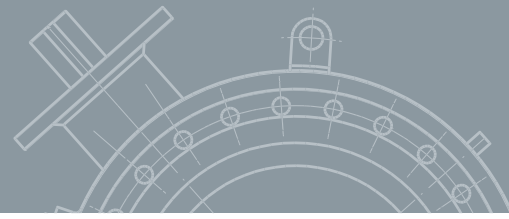
BALL VALVES

PRODUCT CATALOGUE

BROEN

VALVE TECHNOLOGIES





BROEN

BROEN Group established in 1948 is one of the largest global manufacturer of ball valves. BROEN has 6 production plants in Europe, Russia, North America and employs 900 people. The company has branches in, and export its products to over 50 countries in the world.

BROEN's annual production exceeds 1 million ball valves covering a wide range of sizes and pressures. Broen Oil & Gas, formerly ZAWGAZ, joined the BROEN Group in 2008 and has more than 30 years of experience in the design, production, supply and service of ball valves for the oil and natural gas industries.

BROEN is a part of the stock listed industrial group Aalberts Industries, which specializes in delivering a wide range of technologically advanced products and systems to many industries. Aalberts Industries own more than 140 companies and employ 12 000 people all over the world. BSM valves and Conbraco companies, who belong to Aalberts Industries group, also manufacture valves for the oil and natural gas markets and compliments the BROEN product portfolio.



APPLICATIONS

The BROEN ball valves are dedicated for production, processing, transmission and distribution in the gas, oil, petrochemical, chemical, heating and other industries and for a wide range of fluids, such as:

Gas

**NATURAL GAS
PROPANE
BUTANE
OTHER GASES MIXTURES**



Since introduction of BOG valves for natural gas we have successfully delivered our products to installations and pipelines operated by largest companies in the CEE countries, i.e. PGNiG SA/ Gaz System SA (Poland), SSP (Slovakia), MOL (Hungary). Constantly developed product portfolio, sophisticated technological solutions, timely deliveries and high quality of customer service – all these features guarantee satisfaction of our Customers.

Fuels

**DIESEL
LPG
PETROL
JET A1**



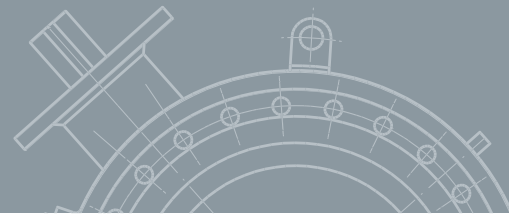
BOG valves have been faultlessly operating for more than 10 years in LPG installations of companies like Orlen Gaz, Gaspol, Amerigas (former Shell Gas) in Poland, Lukoil in Kaliningrad (Russia), Latvijas Propana Gaze or Intergaz in Latvia. We supply ball valves for gas/LPG stations, transloading terminals, storage tanks and tank trucks/railcars. We are preferred supplier to all locations where durability, safety and operational reliability is of highest importance. BOG for last 6 years has been certified supplier of ball valves to fuel installations for NATO army bases, including also installations for aviation fuel Jet A1. We have been also supplying products to fuel bases for civil airports, i.e. for company Petrolot operating at the Warsaw airport.

Oil

**OIL
LIGHT CRUDE OIL
PENTANE/HEXANE
OTHER OIL PRODUCTS**



Similarly to fuel applications, our ball valves are best solution for oil and oil-derivatives installations. Faultless and smooth operation allowed for application in both refineries and oil-storages of such companies as Lotos or Orlen, as well as in heavy-duty oil-heating systems. Sophisticated technological solutions, expertise and satisfaction of our current customers allow for planning of further development of this segment and guarantee our future customers high quality of products and service.



The two way on-off ball valves are designed and produced by BROEN and are recommended to be used as isolating valves. The valves have a low fluid resistance and consequently, high KV values.

The valves with self-lubricating seats are recommended for a wide range of industrial applications.

The metal seated valves are recommended for severe-duty service industrial applications.

The trunnion mounted BROEN ball valves are designed to equally seal in both directions and are fitted with advanced dependable spring loaded seats and optionally with a bleed port. This offers the highest mechanical and functional reliability on the market.

Design for either above or underground services, the BROEN ball valves substantially exceed common requirements for standard, as well as for severe conditions industrial applications.

References

Gaz System (Poland), PGNiG (Poland), Gazprom (Russia), Rosneft (Russia), Lukoil (Russia), Mobile Gas (USA), Lockheed Martin (USA), Ukrnafta (Ukraine) and many others.

Full reference list can be forwarded on request.



QUALITY STANDARDS AND CERTIFICATION

BROEN API 6D range of products conform to industry standards set by the American Petroleum Institute, therefore valves are allowed to bear the Official API Monogram.

BROEN is a certified producer of valves constituting elements of transmission and technological pipelines for hazardous flammable liquids and gas media.

The Fire Safe construction of our valves is certified for both, floating and trunnion mounted ball designs.

The Double Block and Bleed functions of Broen Oil & Gas ball valves are certified by Bureau Veritas, as their function is defined by API 6D and ISO 14313.

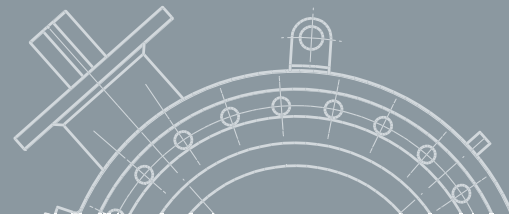
BROEN ball valves are PED 97/23/EC certified, which means that quality control for the design, manufacture, final inspection and testing of pressure equipment satisfy the provisions of the Directive.

Consequently, BROEN ball valves are CE marked.

BOG for last 6 years has been certified supplier of ball valves to fuel installations for NATO army bases, including also installations for aviation fuel Jet A1.



PRODUCTION PROGRAM



**EN-ISO
FULL BORE**

DN 15 – 800
PN 16 – 100
TEMP. -60 ÷ 200°C



**EN-ISO
REDUCED BORE**

DN 250 – 800
PN 16 – 40
TEMP. -40 ÷ 200°C



**API 6D
FULL BORE**

DN (NPS) 1/2" – 32"
CLASS 150 – 600
TEMP. -29 ÷ 200°C



DZT VALVES

DN 10 – 500
PN 16 – 40
TEMP. -40 ÷ 80°C



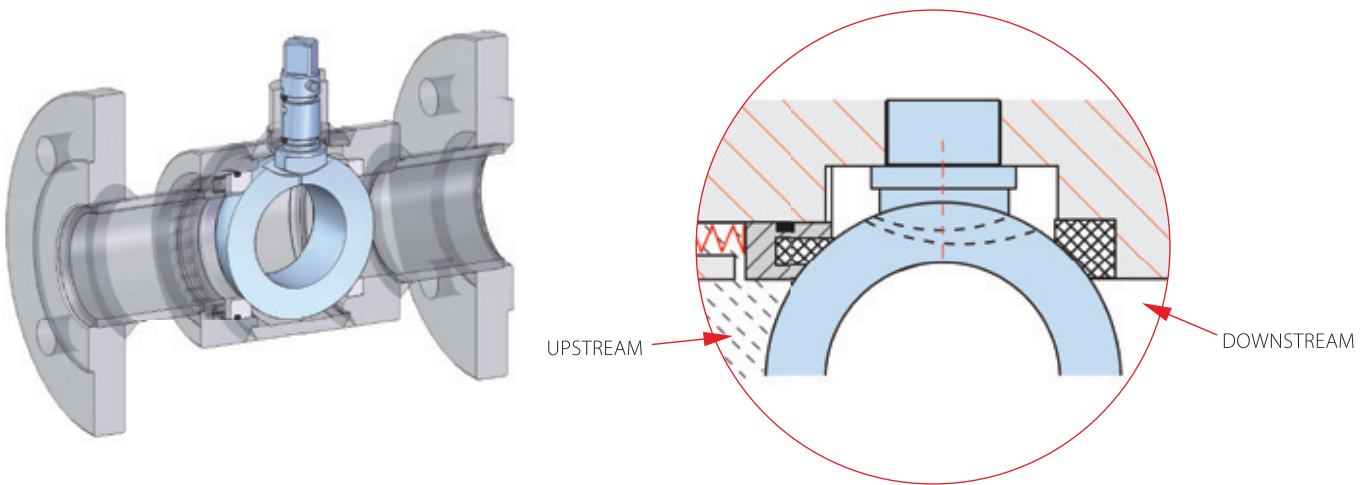
DESCRIPTION OF MAIN VALVE FEATURES

Linear and volumetric compensation for floating ball design

The linear and volumetric compensation system prevents the buildup of excessive pressure in the cavity, which may result from external environment temperature increase.

The phenomenon may cause higher opening torque, the valve keeping full tightness for a shorter time, or worse, the ball getting stuck between the seat.

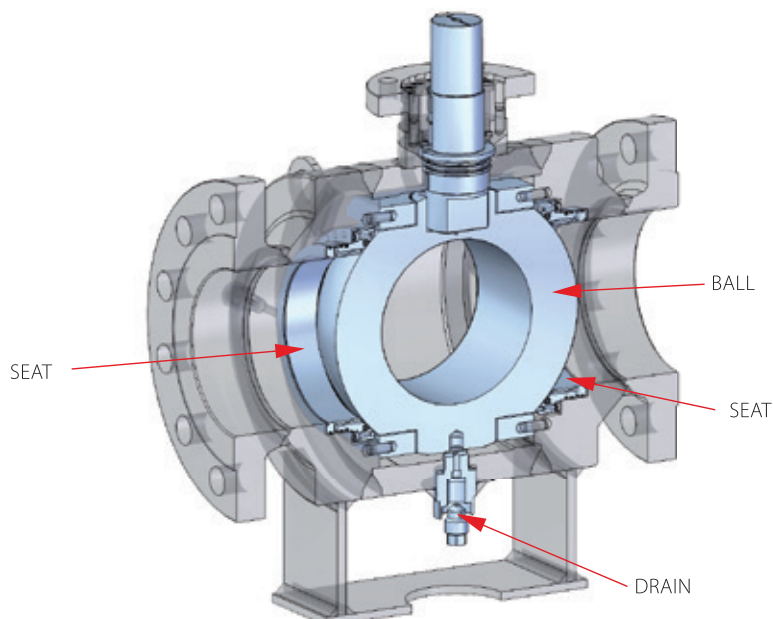
The linear and volumetric compensation system is a standard solution for all our floating ball type products and is most effective in case of LPG and other liquid media.



Double block and bleed (DBB)

The DBB system ensures the simultaneous upstream and downstream sealing, while also permitting the release of the overpressure in the cavity, in both, fully open and fully closed position.

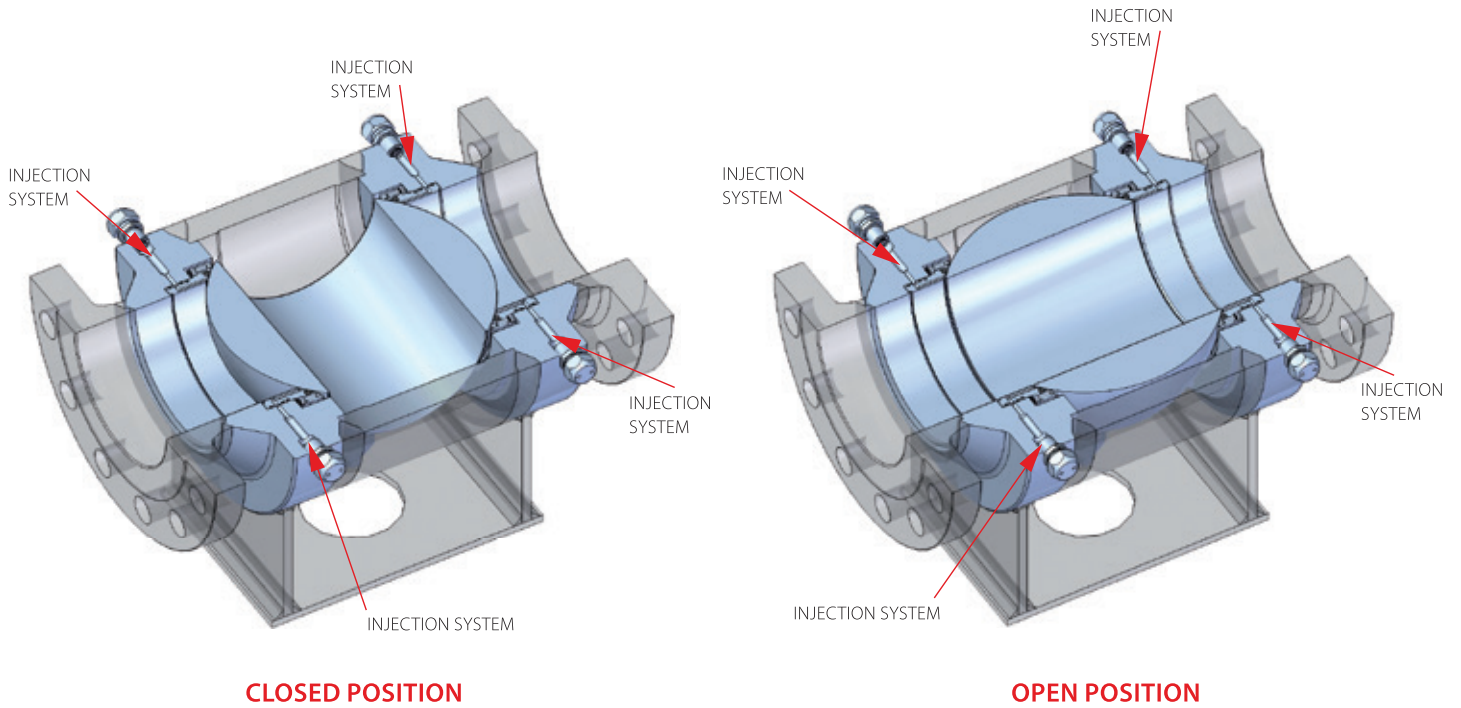
The drain allows the pressure in the cavity to be released manually. This enables the replacement of the upper stem sealing, as well as the tightness of the valve to be checked, without the need to shut down the pipeline.



Injection system

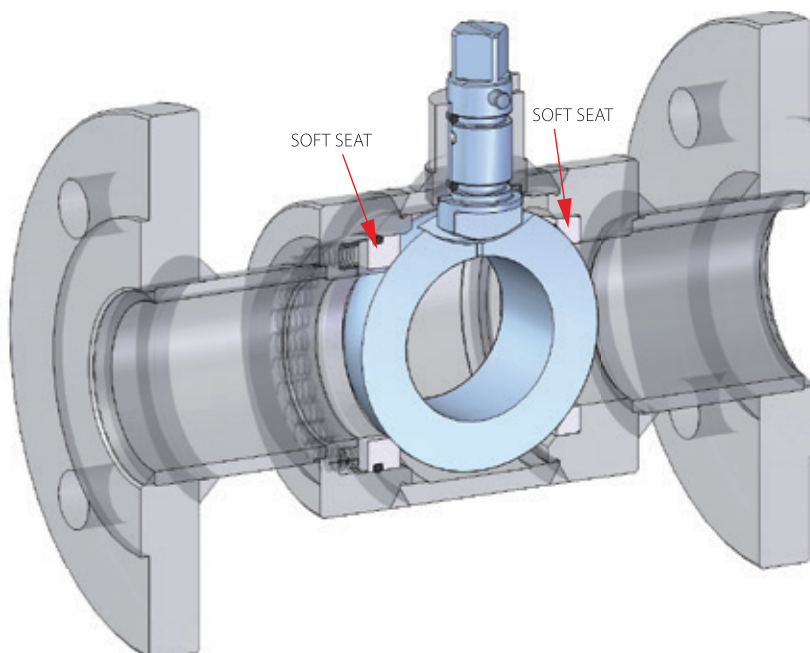
Allows the seal to regenerate in case of damage resulting from normal wear or from media contamination, by injecting a sealant, or, to clean the valve by injecting a flushing agent.

It also facilitates the operation of the valve after a long a period of inoperability.

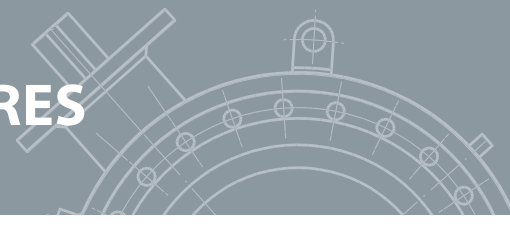


Soft sealing system

The sealing materials are selected according to application requirements and are based on a customer's technical specifications.



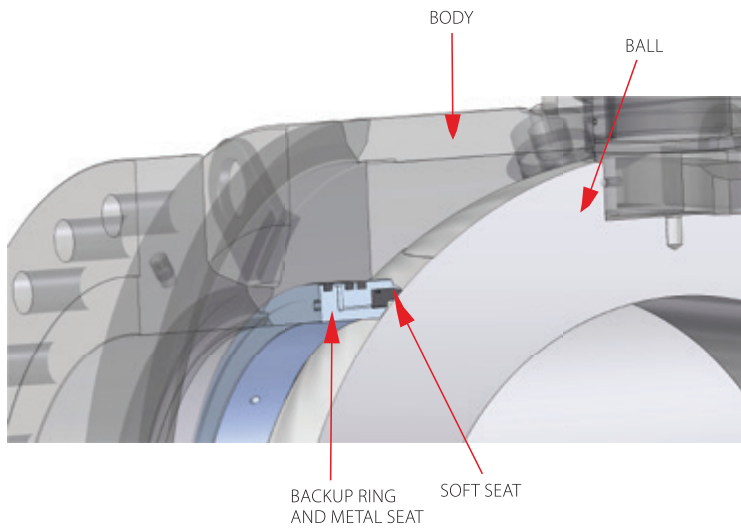
DESCRIPTION OF MAIN VALVE FEATURES



Primary metal secondary soft sealing system (PMSS)

The first sealing concerns the metal surface, while the second concerns the soft sealing, guaranteeing the tightness of the valve.

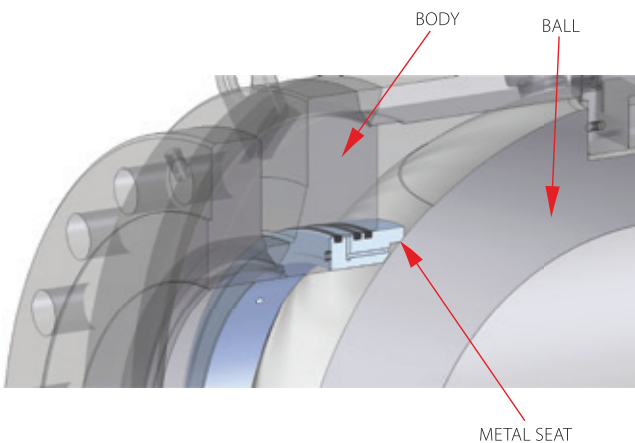
The PMSS type sealing is applied to the valves with a trunnion mounted ball.



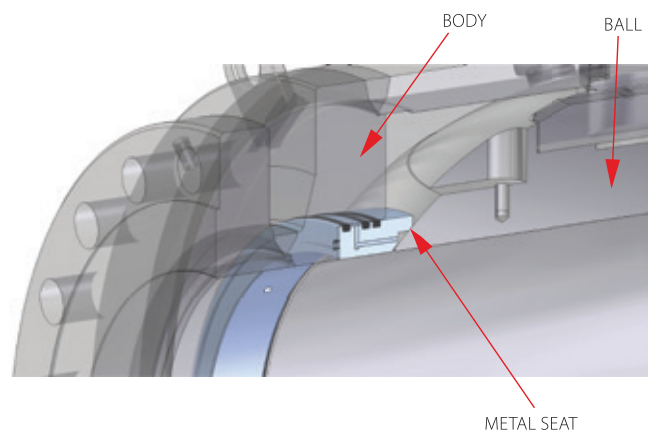
Metal / metal sealing system

The cooperating metal sealing surface are covered with special coating, which allows for long, effective and defect-free operation and sealing.

CLOSED POSITION

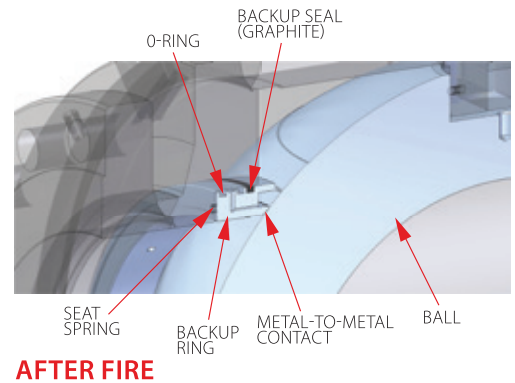
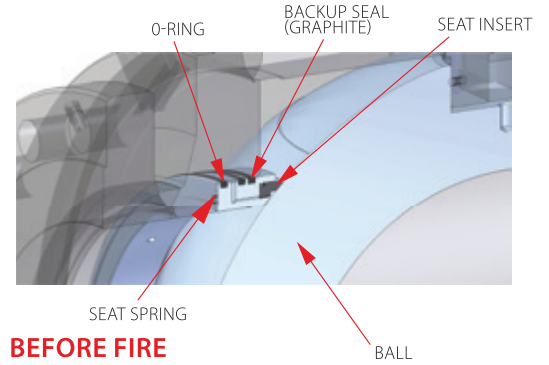
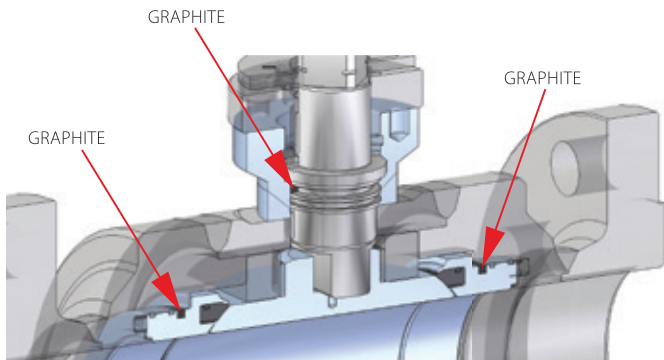


OPEN POSITION



Fire safe

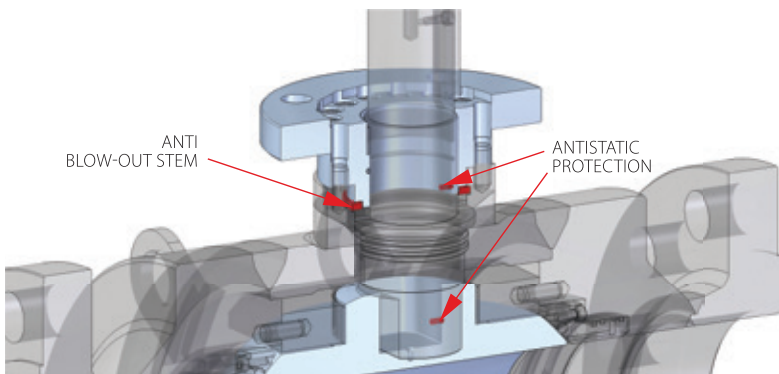
The Fire Safe solution is based on Metal / Metal and Graphite sealing elements.



Antistatic protection and anti blow-out stem design

The antistatic design protects against static electric discharge.

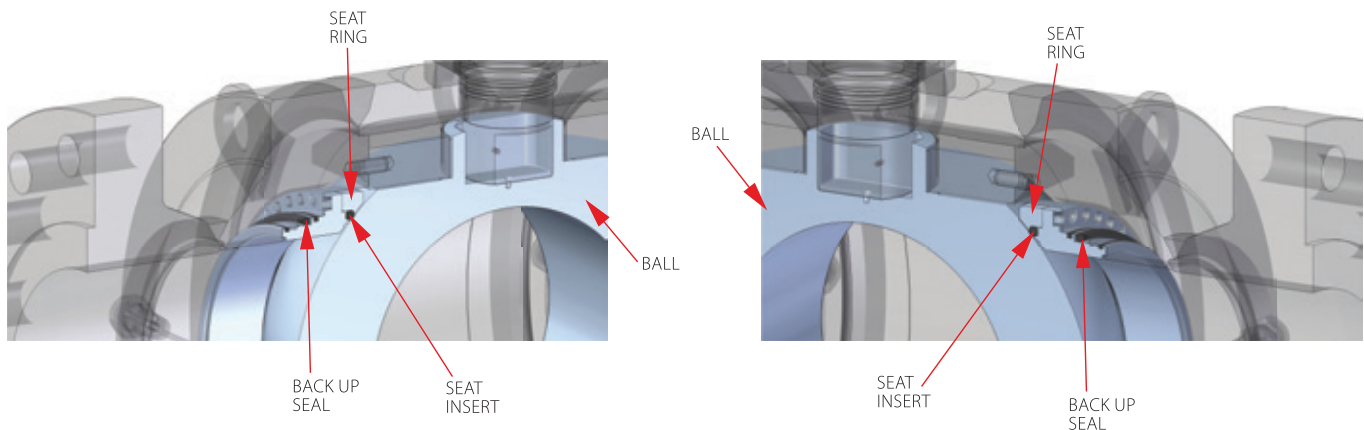
The anti blow-out design prevents the stem from blowing out after disassembly of the stem sealing top cover while the valve is under pressure.



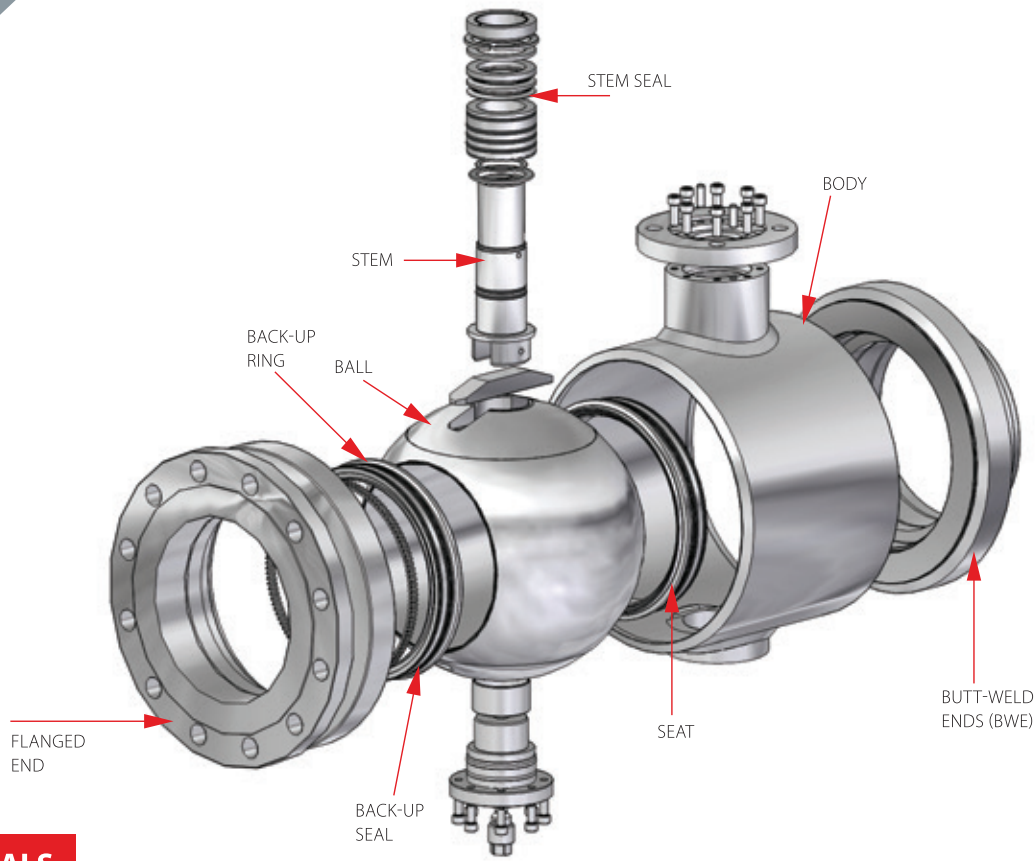
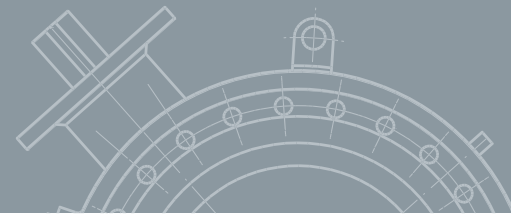
Double piston effect sealing system (DPE)

Both seals in the valves with "Double Piston Effect" (DPE) actively participate in the internal sealing of the valve.

The body cavity pressure activates sealing on the downstream side which provides double sealing prior to cavity pressure relief taking place.



BALL VALVE PN 16/25/40 FULL BORE



MATERIALS

| DN | BODY | FLANGED END | BUTT-WELDED ENDS (BWE) | BALL | STEM | BACK-UP RING | SEAT | BACK-UP SEAL | STEM SEAL |
|-----|--|---|---|----------------------------------|--|-----------------------|-----------------|---|---|
| 15 | P355NH; P355NL1; S355J2; S355J2H X5CrNi18-10 (AISI 304) | P355NH; P355NL1; S355J2; S355J2H; X5CrNi18-10 (AISI 304) | P355NH; P355NL1; S355J2; S355J2H; X5CrNi18-10 (AISI 304) | X5CrNi18-10 (AISI 304) | X20Cr13 (AISI 420) X5CrNi18-10 (AISI 304) | CS + Ni-Cr SS | | HNBR; EPDM; FKM; Graphite; PTFE | HNBR; EPDM; FKM; Graphite; PTFE |
| 20 | | | | | | | | | |
| 25 | | | | | | | | | |
| 32 | | | | | | | | | |
| 40 | | | | | | | | | |
| 50 | | | | | | | | | |
| 65 | P355NH; P355NL1; S355J2; S355J2H | P355NH; P355QH | P355NH; P355NL1; S355J2; S355J2H | S355J2 + Ni-Cr; A350 LF2 + EN | X20Cr13 (AISI 420) | CS + Ni-Cr CS + EN | PTFE; PTFE+C | HNBR; EPDM; FKM; Graphite; PTFE | |
| 80 | | | | | | | | | |
| 100 | | | | | | | | | |
| 150 | | | | | | | | | |
| 200 | | | | | | | | | |
| 250 | | | | | | | | | |
| 300 | | | | | | | | | |
| 350 | | | | | | | | | |
| 400 | | | | | | | | | |
| 500 | | | | | | | | | |
| 600 | HNBR; EPDM; FKM; Graphite | | | | | | | | |
| 700 | | | | | | | | | |
| 800 | | | | | | | | | |

| CLASSIFICATION OF THE PRODUCTS | TYPE | SCOPE |
|---|------------------------------|------------|
| BALL VALVE FROM CARBON STEEL, FULL BORE, PN 16/25/40 | AH-2c-MK, AH-2c-MP, AH-2c-MG | DN 15-25 |
| | AH-2c | DN 32-80 |
| | AH-2cg, AH-2cp, AH-2cd | DN 32-80 |
| | AH-11c, AH-12c | DN 100-150 |
| | AH-11cj, AH-12cj | DN 100-150 |
| | AH-14c, AH-15c | DN 200-800 |

TEMPERATURE RANGE [°C]

t = -60°C ÷ +100°C

t = -40°C ÷ +100°C

t = -30°C ÷ +100°C

t = -20°C ÷ +150°C

t = -10°C ÷ +200°C

DIMENSIONS [mm]

| DN | d | F | t | DBB | IS | L | | | B | I | D1 | T |
|-----|-----|---|---|--------|--------|--------|--------|-------|-------|-------|-------|------|
| | | | | | | FxF | WxW | GxG | | | | |
| 15 | 15 | X | - | - | - | FxF | WxW | GxG | 37,0 | 21,0 | 21,3 | 3,2 |
| | | | | | | 130,0 | 130,0 | 100,0 | | | | |
| 20 | 20 | X | - | - | - | 150,0 | 150,0 | 110,0 | 40,0 | 24,0 | 26,9 | 3,6 |
| 25 | 25 | X | - | - | - | 160,0 | 160,0 | 135,0 | 48,0 | 30,0 | 35,0 | 5,0 |
| 32 | 32 | X | - | - | - | 104,0 | 270,0 | 150,0 | 83,0 | 35,0 | 42,4 | 4,0 |
| | | | | | | 180,0 | | | | | | |
| 40 | 40 | X | - | - | - | 106,0 | 190,0 | 160,0 | 87,0 | 40,0 | 48,3 | 3,6 |
| | | | | | | 200,0 | | | | | | |
| 50 | 50 | X | X | OPTION | - | 108,0 | 216,0 | 160,0 | 95,0 | 48,0 | 60,3 | 4,0 |
| | | | | | | 230,0 | | | | | | |
| 65 | 64 | X | - | - | - | 112,0 | 241,0 | 210,0 | 122,0 | 59,0 | 76,1 | 5,0 |
| | | | | | | 290,0 | | | | | | |
| 80 | 78 | X | - | OPTION | - | 140,0 | 283,0 | 240,0 | 130,0 | 71,0 | 88,9 | 5,6 |
| | | | | | | 310,0 | | | | | | |
| 100 | 101 | X | - | - | - | 190,0 | 305,0 | - | 173,0 | 90,0 | 114,3 | 5,6 |
| | | - | X | OPTION | OPTION | 300,0 | | | | | | |
| 125 | 126 | X | - | - | - | 325,0 | 600,0 | - | 215,0 | 110,0 | 139,7 | 6,3 |
| | | - | X | OPTION | OPTION | | | | | | | |
| 150 | 152 | X | - | - | - | 350,0 | 457,0 | - | 253,0 | 137,0 | 168,3 | 7,1 |
| | | - | X | OPTION | OPTION | | | | | | | |
| 200 | 202 | - | X | X | OPTION | 457,0 | 521,0 | - | 252,0 | 203,0 | 219,1 | 8,8 |
| 250 | 253 | - | X | X | OPTION | 533,0 | 559,0 | - | 315,0 | 248,0 | 273,9 | 10,0 |
| 300 | 304 | - | X | X | OPTION | 610,0 | 635,0 | - | 355,0 | 288,0 | 323,9 | 10,0 |
| 350 | 336 | - | X | X | OPTION | 686,0 | 762,0 | - | 378,0 | 311,0 | 355,6 | 11,0 |
| 400 | 386 | - | X | X | X | 762,0 | 838,0 | - | 433,0 | 480,0 | 406,4 | 12,5 |
| 500 | 488 | - | X | X | X | 914,0 | 991,0 | - | 561,0 | 570,0 | 508,0 | 12,5 |
| 600 | 588 | - | X | X | X | 1067,0 | 1143,0 | - | 654,0 | 682,0 | 610,0 | 12,5 |
| 700 | 648 | - | X | X | X | 1245,0 | 1346,0 | - | 806,0 | 790,0 | 711,0 | 14,2 |
| 800 | 780 | - | X | X | X | 1372,0 | 1524,0 | - | 890,0 | 900,0 | 813,0 | 16,0 |

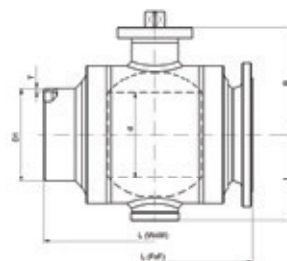
WEIGHT [kg]

| DN | FxF | | | WxW | | | GxG | | |
|-----|--------|--------|--------|--------|--------|--------|-------|-------|-------|
| | PN 16 | PN 25 | PN 40 | PN 16 | PN 25 | PN 40 | PN 16 | PN 25 | PN 40 |
| 15 | 2,5 | 2,5 | 2,5 | 1,2 | 1,2 | 1,2 | 1,2 | 1,2 | 1,2 |
| 20 | 3,5 | 3,5 | 3,5 | 1,6 | 1,6 | 1,6 | 1,5 | 1,5 | 1,5 |
| 25 | 4,9 | 4,9 | 4,9 | 3,0 | 3,0 | 3,0 | 3,1 | 3,1 | 3,1 |
| 32 | 5,1 | 5,1 | 5,1 | 3,1 | 3,1 | 3,1 | 2,8 | 2,8 | 2,8 |
| | 6,1 | 6,1 | 6,1 | | | | | | |
| 40 | 5,9 | 5,9 | 5,9 | 3,5 | 3,5 | 3,5 | 3,9 | 3,9 | 3,9 |
| | 7,3 | 7,3 | 7,3 | | | | | | |
| 50 | 7,6 | 7,6 | 7,6 | 4,6 | 4,6 | 4,6 | 5,1 | 5,1 | 5,1 |
| | 17,0 | 17,0 | 17,0 | | | | | | |
| 65 | 10,4 | 10,4 | 10,4 | 8,4 | 8,4 | 8,4 | 9,4 | 9,4 | 9,4 |
| | 15,3 | 15,3 | 15,3 | | | | | | |
| 80 | 14,4 | 14,4 | 14,4 | 13,5 | 13,5 | 13,5 | 15,8 | 15,8 | 15,8 |
| | 22,0 | 22,0 | 22,0 | | | | | | |
| 100 | 21,0 | 23,0 | 23,0 | 28,0 | 28,0 | 28,0 | - | - | - |
| | 26,0 | 36,0 | 36,0 | 30,0 | 30,0 | 30,0 | | | |
| 125 | 46,0 | 57,0 | 57,0 | 51,0 | 51,0 | 51,0 | - | - | - |
| | 48,0 | 59,0 | 59,0 | 53,0 | 53,0 | 53,0 | | | |
| 150 | 75,0 | 85,0 | 85,0 | 79,0 | 79,0 | 79,0 | - | - | - |
| | 77,0 | 87,0 | 87,0 | 81,0 | 81,0 | 81,0 | | | |
| 200 | 145,0 | 148,0 | 157,0 | 130,0 | 130,0 | 130,0 | - | - | - |
| 250 | 264,0 | 276,0 | 293,0 | 240,0 | 240,0 | 240,0 | - | - | - |
| 300 | 448,0 | 463,0 | 487,0 | 421,0 | 421,0 | 421,0 | - | - | - |
| 350 | 589,0 | 617,0 | 631,0 | 557,0 | 557,0 | 557,0 | - | - | - |
| 400 | 950,0 | 980,0 | 1030,0 | 900,0 | 900,0 | 900,0 | - | - | - |
| 500 | 1690,0 | 1730,0 | 1770,0 | 1610,0 | 1610,0 | 1610,0 | - | - | - |
| 600 | 2640,0 | 2645,0 | 2890,0 | 2570,0 | 2570,0 | 2570,0 | - | - | - |
| 700 | 4234,0 | 4318,0 | 4427,0 | 4126,0 | 4126,0 | 4126,0 | - | - | - |
| 800 | 5380,0 | 6460,0 | 6295,0 | 6145,0 | 6145,0 | 6145,0 | - | - | - |

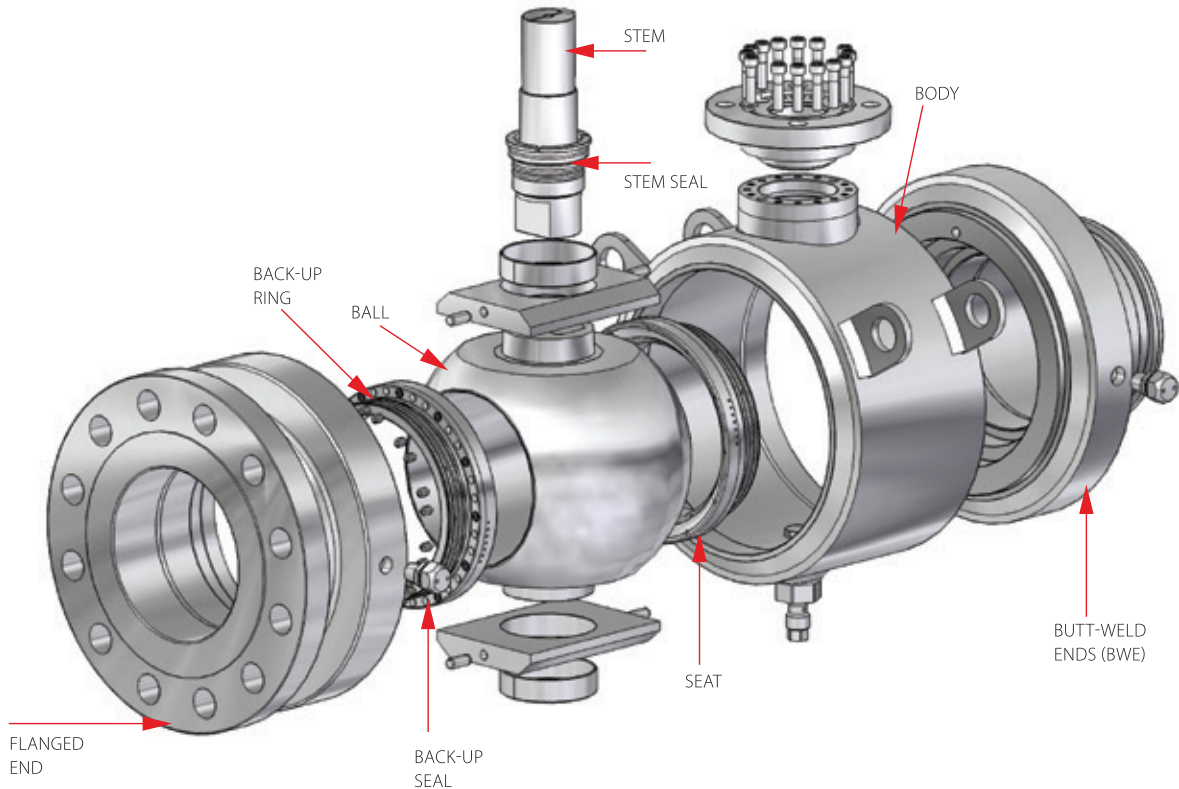
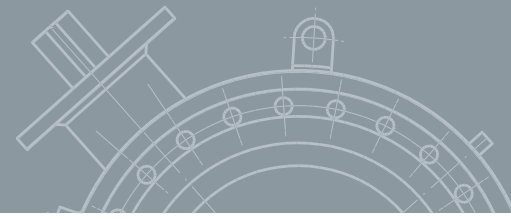
ADDITIONAL COMMENTS:

Flange dimension acc. to EN 1092-1
 Flanges standard sealing surface: B2 acc. to EN 1092-1
 Butt-Weld Ends acc. to EN 12627
 Dimensions D1 and T to agree
 Threaded end acc. to ISO 228-1 or ASME B1.20.1

X = Available
 F = Floating ball
 t = Trunnion mounted ball
 DBB = Double Block and Bleed
 IS = Injection System
 FxF = Flanged ends
 WxW = Butt-Weld ends
 GxG = Threaded ends



BALL VALVE PN 63 FULL BORE



MATERIALS

| DN | BODY | FLANGED END | BUTT-WELDED ENDS (BWE) | BALL | STEM | BACK-UP RING | SEAT | BACK-UP SEAL | STEM SEAL |
|-----|---|---|---|---------------------------|-----------------------|-----------------------|--------|------------------------------------|------------------------------------|
| 15 | P355NH; P355NL1; S355J2; S355J2H | P355NH; P355NL1; P355QH; S355J2; | P355NH; P355NL1; S355J2; S355J2H | X5CrNi18-10 (AISI 304) | X20Cr13 (AISI 420) | CS + Ni-Cr SS | PTFE+C | HNBR; EPDM; FKM; Graphite | HNBR; EPDM; FKM; Graphite |
| 20 | | | | | | | | | |
| 25 | | | | | | | | | |
| 32 | | | | | | | | | |
| 40 | | | | | | | | | |
| 50 | A350LF2; P355NH; P355QH | P355NH; P355NL1; P355QH; S355J2; | P355NH; P355NL1; S355J2; S355J2H | A350 LF2 + EN | X20Cr13 (AISI 420) | CS + Ni-Cr CS + EN | HNBR | HNBR; EPDM; FKM; Graphite | HNBR; EPDM; FKM; Graphite |
| 65 | | | | | | | | | |
| 80 | | | | | | | | | |
| 100 | | | | | | | | | |
| 150 | | | | | | | | | |
| 200 | | | | | | | | | |
| 250 | | | | | | | | | |
| 300 | | | | | | | | | |
| 350 | | | | | | | | | |
| 400 | | | | | | | | | |
| 500 | | | | | | | | | |
| 600 | | | | | | | | | |
| 700 | | | | | | | | | |

| CLASSIFICATION OF THE PRODUCTS | TYPE | SCOPE |
|---|--------------------|-----------|
| BALL VALVE FROM CARBON STEEL, FULL BORE, PN 63 | AH-3, AH-3p, AH-3G | DN 15-25 |
| | AH-3, AH-3p | DN 32-65 |
| | AH-3j, AH-3pj | DN 50-65 |
| | AH-4w, AH-4pw | DN 80-700 |

TEMPERATURE RANGE [°C]

t= -60°C ÷ +100°C

t= -40°C ÷ +100°C

t= -30°C ÷ +100°C

DIMENSIONS [mm]

| DN | d | F | t | DBB | IS | L | | | B | I | D1 | T |
|-----|-----|---|---|-----|--------|--------|--------|-------|-------|-------|-------|------|
| | | | | | | FxF | WxW | GxG | | | | |
| 15 | 15 | X | - | - | - | 130,0 | 165,0 | 100,0 | 44,0 | 21,0 | 21,3 | 2,9 |
| 20 | 20 | X | - | - | - | 150,0 | 190,0 | 110,0 | 47,0 | 24,0 | 26,9 | 3,2 |
| 25 | 25 | X | - | - | - | 160,0 | 216,0 | 135,0 | 60,0 | 30,0 | 35,0 | 4,5 |
| 32 | 32 | X | - | - | - | 180,0 | 229,0 | - | 83,0 | 38,0 | 44,5 | 5,0 |
| 40 | 40 | X | - | - | - | 200,0 | 241,0 | - | 87,0 | 45,0 | 51,0 | 5,0 |
| 50 | 50 | X | - | - | - | 230,0 | 292,0 | - | 121,0 | 53,0 | 60,3 | 5,0 |
| | | - | X | X | | | | | | | | |
| 65 | 64 | X | - | - | - | 290,0 | 330,0 | - | 132,0 | 67,0 | 76,1 | 7,1 |
| | | - | X | X | | | | | | | | |
| 80 | 78 | - | X | X | OPTION | 310,0 | 356,0 | - | 143,0 | 124,0 | 88,9 | 6,3 |
| 100 | 101 | - | X | X | OPTION | 350,0 | 432,0 | - | 169,0 | 141,0 | 114,3 | 7,1 |
| 150 | 152 | - | X | X | X | 450,0 | 559,0 | - | 228,0 | 190,0 | 168,3 | 8,0 |
| 200 | 202 | - | X | X | X | 597,0 | 660,0 | - | 290,0 | 350,0 | 219,1 | 8,8 |
| 250 | 253 | - | X | X | X | 673,0 | 787,0 | - | 328,0 | 430,0 | 273,0 | 10,0 |
| 300 | 304 | - | X | X | X | 762,0 | 838,0 | - | 395,0 | 470,0 | 323,9 | 10,0 |
| 350 | 335 | - | X | X | X | 826,0 | 889,0 | - | 416,0 | 490,0 | 355,6 | 12,5 |
| 400 | 387 | - | X | X | X | 902,0 | 991,0 | - | 488,0 | 528,0 | 406,4 | 14,2 |
| 500 | 489 | - | X | X | X | 1054,0 | 1194,0 | - | 607,0 | 602,0 | 508,0 | 16,0 |
| 600 | 589 | - | X | X | X | 1232,0 | 1232,0 | - | 722,0 | 795,0 | 610,0 | 16,0 |
| 700 | 684 | - | X | X | X | 1397,0 | 1397,0 | - | 796,0 | 880,0 | 711,0 | 17,5 |

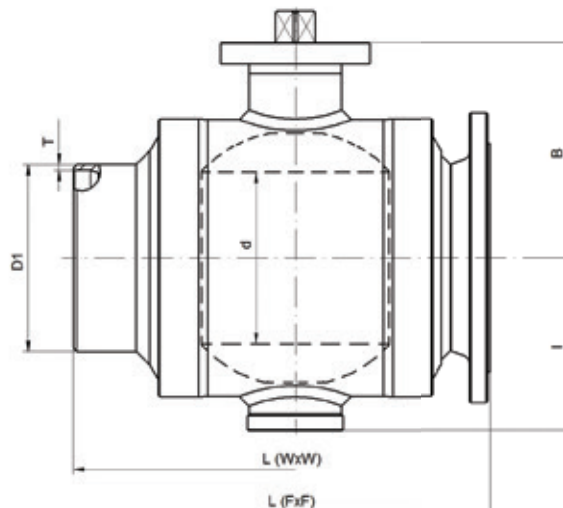
WEIGHT [kg]

| DN | FxF | WxW | GxG |
|-----|--------|--------|-------|
| | PN 63 | PN 63 | PN 63 |
| 15 | 3,5 | 1,4 | 1,2 |
| 20 | 5,5 | 2,0 | 1,6 |
| 25 | 7,8 | 3,7 | 3,1 |
| 32 | 9,4 | 5,8 | - |
| 40 | 12,6 | 7,9 | - |
| 50 | 15,7 | 10,6 | - |
| | 16,2 | 19,0 | - |
| 65 | 21,1 | 14,3 | - |
| | 21,8 | 15,0 | - |
| 80 | 35,0 | 25,0 | - |
| 100 | 60,0 | 48,0 | - |
| 150 | 143,0 | 116,0 | - |
| 200 | 368,0 | 318,0 | - |
| 250 | 591,0 | 512,0 | - |
| 300 | 917,0 | 854,0 | - |
| 350 | 1177,0 | 1052,0 | - |
| 400 | 1522,0 | 1369,0 | - |
| 500 | 2583,0 | 2476,0 | - |
| 600 | 3723,0 | 3132,0 | - |
| 700 | 5398,0 | 4608,0 | - |

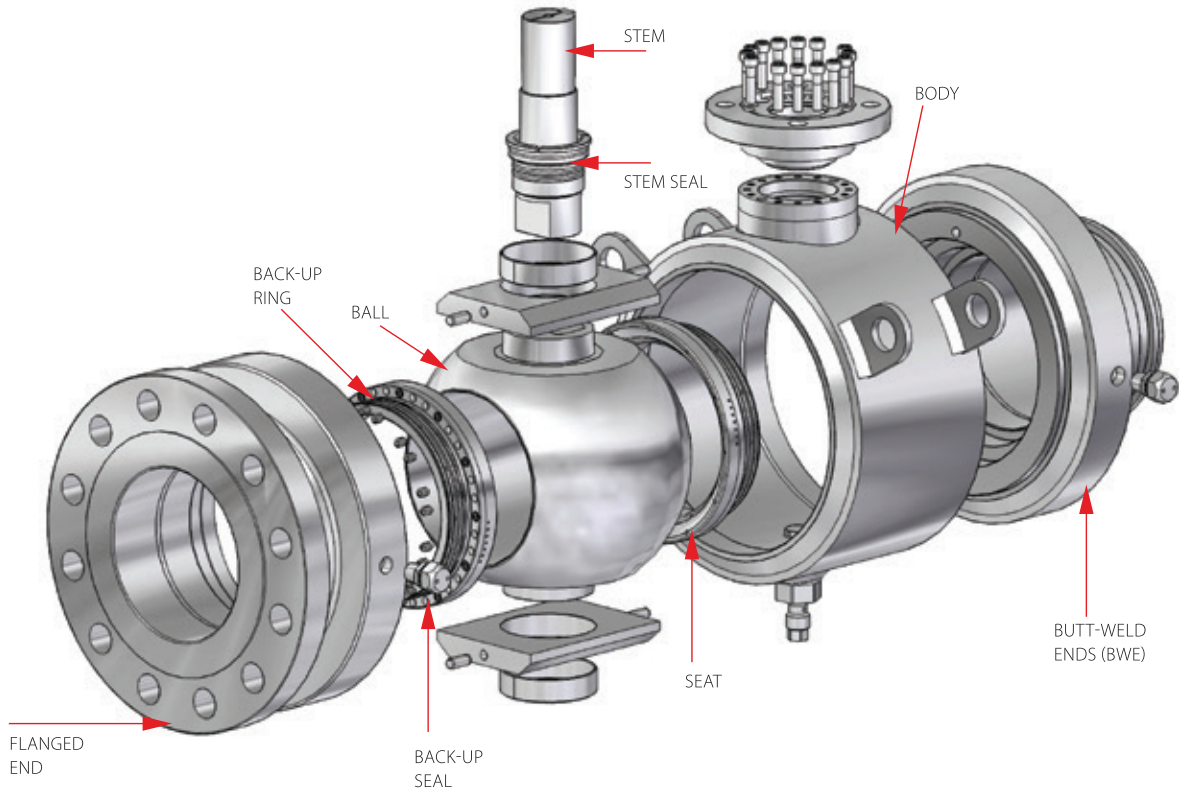
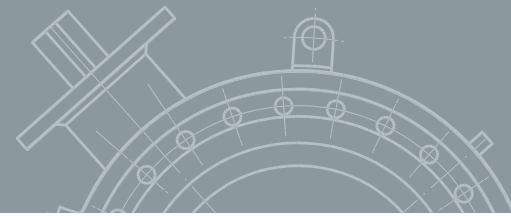
ADDITIONAL COMMENTS:

Flange dimension acc. to EN 1092-1
 Flanges standard sealing surface: B2 acc. to EN 1092-1
 Butt-Weld Ends acc. to EN 12627
 Dimensions D1 and T to agree
 Threaded end acc. to ISO 228-1 or ASME B1.20.1

X = Available
 F = Floating ball
 t = Trunnion mounted ball
 DBB = Double Block and Bleed
 IS = Injection System
 FxF = Flanged ends
 WxW = Butt-Weld ends
 GxG = Threaded ends



BALL VALVE PN 100 FULL BORE



MATERIALS

| DN | BODY | FLANGED END | BUTT-WELD ENDS (BWE) | BALL | STEM | BACK-UP RING | SEAT | BACK-UP SEAL | STEM SEAL |
|-----|---|---|---|---------------------------|-----------------------|-----------------------|--------|------------------------------------|------------------------------------|
| 15 | P355NH; P355NL1; S355J2; S355J2H | P355NH; P355NL1; P355QH; S355J2; | P355NH; P355NL1; S355J2; S355J2H | X5CrNi18-10 (AISI 304) | X20Cr13 (AISI 420) | CS + Ni-Cr SS | PTFE+C | HNBR; EPDM; FKM; Graphite | HNBR; EPDM; FKM; Graphite |
| 20 | | | | | | | | | |
| 25 | | | | | | | | | |
| 32 | | | | | | | | | |
| 40 | | | | | | | | | |
| 50 | A350LF2; P355NH; P355QH | P355NH; P355NL1; P355QH; S355J2; | P355NH; P355NL1; S355J2; S355J2H | A350 LF2 + EN | X20Cr13 (AISI 420) | CS + Ni-Cr CS + EN | HNBR | HNBR; EPDM; FKM; Graphite | HNBR; EPDM; FKM; Graphite |
| 65 | | | | | | | | | |
| 80 | | | | | | | | | |
| 100 | | | | | | | | | |
| 150 | | | | | | | | | |
| 200 | | | | | | | | | |
| 250 | | | | | | | | | |
| 300 | | | | | | | | | |
| 350 | | | | | | | | | |
| 400 | | | | | | | | | |
| 500 | | | | | | | | | |
| 600 | | | | | | | | | |
| 700 | | | | | | | | | |

| CLASSIFICATION OF THE PRODUCTS | TYPE | SCOPE |
|--|--------------------|-----------|
| BALL VALVE FROM CARBON STEEL, FULL BORE, PN 100 | AH-3, AH-3p, AH-3G | DN 15-25 |
| | AH-3, AH-3p | DN 32-65 |
| | AH-3j, AH-3pj | DN 50-65 |
| | AH-4w, AH-4pw | DN 80-700 |

TEMPERATURE RANGE [°C]

t= -60°C ÷ +100°C

t= -40°C ÷ +100°C

t= -30°C ÷ +100°C

DIMENSIONS [mm]

| DN | d | F | t | DBB | IS | L | | | B | I | D1 | T |
|-----|-----|---|---|-----|--------|--------|--------|-------|-------|-------|-------|------|
| | | | | | | FxF | WxW | GxG | | | | |
| 15 | 15 | X | - | - | - | 130,0 | 165,0 | 100,0 | 44,0 | 21,0 | 21,3 | 2,9 |
| 20 | 20 | X | - | - | - | 150,0 | 190,0 | 110,0 | 47,0 | 24,0 | 26,9 | 3,2 |
| 25 | 25 | X | - | - | - | 160,0 | 216,0 | 135,0 | 60,0 | 30,0 | 35,0 | 4,5 |
| 32 | 32 | X | - | - | - | 180,0 | 229,0 | - | 83,0 | 38,0 | 44,5 | 5,0 |
| 40 | 40 | X | - | - | - | 200,0 | 241,0 | - | 87,0 | 45,0 | 51,0 | 5,0 |
| 50 | 50 | X | - | - | - | 230,0 | 292,0 | - | 121,0 | 53,0 | 60,3 | 5,0 |
| | | - | X | X | | | | | | | | |
| 65 | 64 | X | - | - | - | 290,0 | 330,0 | - | 132,0 | 67,0 | 76,1 | 7,1 |
| | | - | X | X | | | | | | | | |
| 80 | 78 | - | X | X | OPTION | 310,0 | 356,0 | - | 143,0 | 124,0 | 88,9 | 6,3 |
| 100 | 101 | - | X | X | OPTION | 350,0 | 432,0 | - | 169,0 | 141,0 | 114,3 | 7,1 |
| 150 | 152 | - | X | X | X | 450,0 | 559,0 | - | 228,0 | 190,0 | 168,3 | 8,0 |
| 200 | 202 | - | X | X | X | 660,0 | 660,0 | - | 290,0 | 350,0 | 219,1 | 8,8 |
| 250 | 253 | - | X | X | X | 787,0 | 787,0 | - | 328,0 | 430,0 | 273,0 | 10,0 |
| 300 | 304 | - | X | X | X | 838,0 | 838,0 | - | 395,0 | 470,0 | 323,9 | 10,0 |
| 350 | 335 | - | X | X | X | 889,0 | 889,0 | - | 416,0 | 490,0 | 355,6 | 12,5 |
| 400 | 387 | - | X | X | X | 991,0 | 991,0 | - | 488,0 | 528,0 | 406,4 | 14,2 |
| 500 | 489 | - | X | X | X | 1194,0 | 1194,0 | - | 607,0 | 602,0 | 508,0 | 16,0 |
| 600 | 589 | - | X | X | X | 1397,0 | 1397,0 | - | 722,0 | 795,0 | 610,0 | 16,0 |
| 700 | 684 | - | X | X | X | 1549,0 | 1549,0 | - | 796,0 | 880,0 | 711,0 | 17,5 |

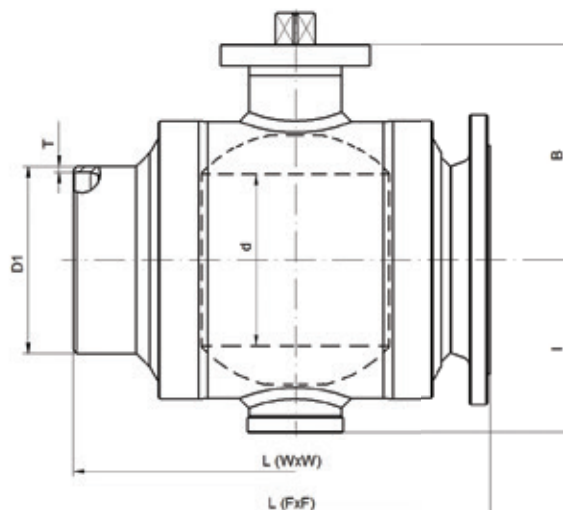
WEIGHT [kg]

| DN | FxF | WxW | GxG |
|-----|--------|--------|--------|
| | PN 100 | PN 100 | PN 100 |
| 15 | 3,5 | 1,4 | 1,2 |
| 20 | 5,5 | 2,0 | 1,6 |
| 25 | 7,8 | 3,7 | 3,1 |
| 32 | 9,4 | 5,8 | - |
| 40 | 12,6 | 7,9 | - |
| | 16,9 | 10,6 | - |
| 50 | 17,5 | 19,0 | - |
| | 22,8 | 14,3 | - |
| 65 | 23,6 | 15,0 | - |
| | 37,0 | 25,0 | - |
| 80 | 37,0 | 25,0 | - |
| 100 | 66,0 | 48,0 | - |
| 150 | 152,0 | 116,0 | - |
| 200 | 390,0 | 318,0 | - |
| 250 | 665,0 | 512,0 | - |
| 300 | 1043,0 | 854,0 | - |
| 350 | 1302,0 | 1052,0 | - |
| 400 | 1853,0 | 1565,0 | - |
| 500 | 3339,0 | 2863,0 | - |
| 600 | 4216,0 | 3132,0 | - |
| 700 | 5910,0 | 4608,0 | - |

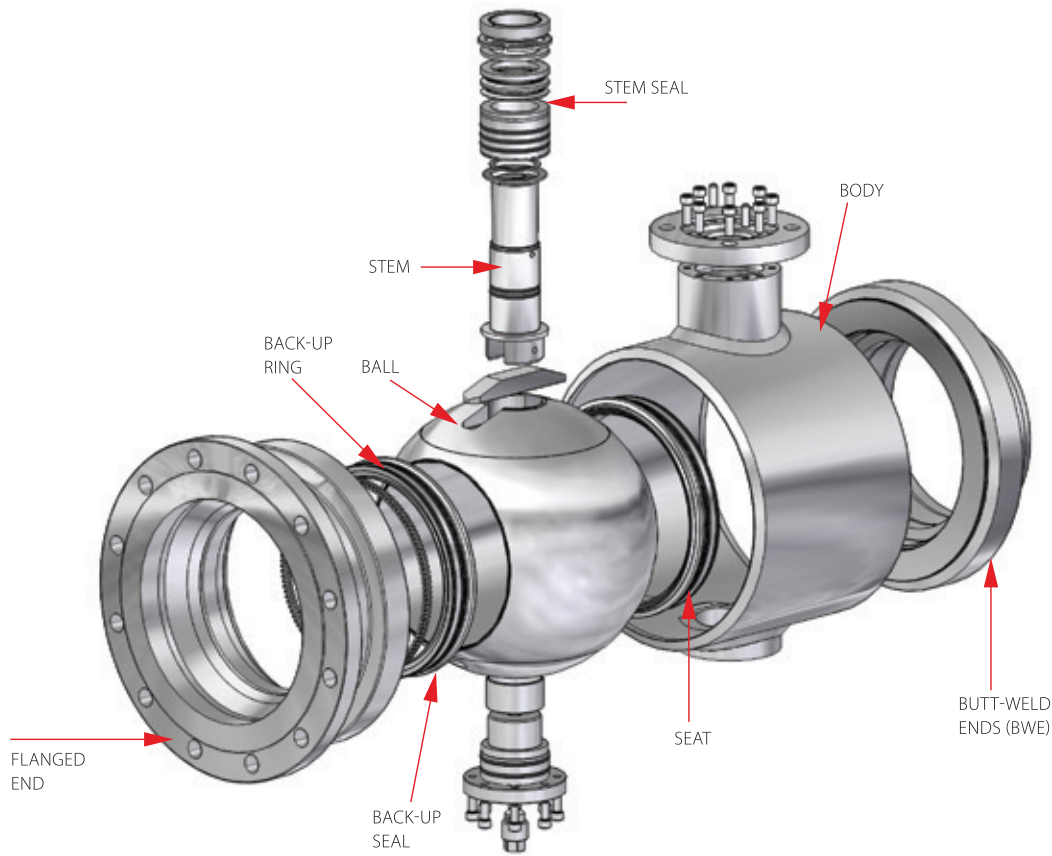
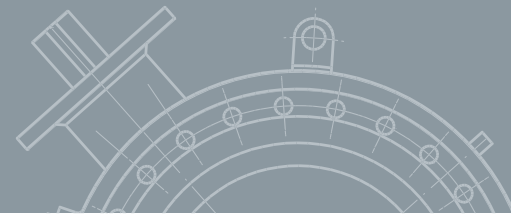
ADDITIONAL COMMENTS:

Flange dimension acc. to EN 1092-1
 Flanges standard sealing surface: B2 acc. to EN 1092-1
 Butt-Weld Ends acc. to EN 12627
 Dimensions D1 and T to agree
 Threaded end acc. to ISO 228-1 or ASME B1.20.1

X = Available
 F = Floating ball
 t = Trunnion mounted ball
 DBB = Double Block and Bleed
 IS = Injection System
 FxF = Flanged ends
 WxW = Butt-Weld ends
 GxG = Threaded ends



BALL VALVE PN 16/25/40 REDUCED BORE



MATERIALS

| DN | BODY | FLANGED END | BUTT-WELD ENDS (BWE) | BALL | STEM | BACK-UP RING | SEAT | BACK-UP SEAL | STEM SEAL |
|-----|----------|-------------|----------------------|---------------|------------|--------------|--------|--------------|-----------|
| 250 | | | | | | | | | |
| 300 | | | | | | | | | |
| 350 | P355NH; | | | | | | | | |
| 400 | P355NL1; | P355NH; | P355NH; | A350 LF2 + EN | X20Cr13 | CS + Ni-Cr | PTFE; | HNBR; | HNBR; |
| 500 | S355J2; | P355QH | P355NL1; | | (AISI 420) | CS + EN | PTFE+C | EPDM; | EPDM; |
| 600 | S355J2H | | S355J2; | | | | | FKM; | FKM; |
| 700 | | | S355J2H | | | | | Graphite; | Graphite; |
| 800 | | | | | | | | PTFE | PTFE |

| CLASSIFICATION OF THE PRODUCTS | TYPE | SCOPE |
|---|------------------|------------|
| BALL VALVE FROM CARBON STEEL, REDUCED BORE, PN 16/25/40 | AH-14cr, AH-15cr | DN 250-800 |

TEMPERATURE RANGE [°C]

t= -40°C ÷ +100°C

t= -20°C ÷ +150°C

t= -30°C ÷ +100°C

t= -10°C ÷ +200°C

DIMENSIONS [mm]

| DN | d | F | t | DBB | IS | L | | | B | I | D1 | T |
|-----|-----|---|---|-----|--------|--------|--------|-----|-------|-------|-------|------|
| | | | | | | FxF | WxW | GxG | | | | |
| 250 | 202 | - | X | X | OPTION | 533,0 | 559,0 | - | 252,0 | 203,0 | 273,0 | 10,0 |
| 300 | 253 | - | X | X | OPTION | 610,0 | 635,0 | - | 315,0 | 248,0 | 323,9 | 10,0 |
| 350 | 304 | - | X | X | OPTION | 686,0 | 762,0 | - | 355,0 | 288,0 | 355,6 | 11,0 |
| 400 | 336 | - | X | X | OPTION | 762,0 | 838,0 | - | 378,0 | 311,0 | 406,4 | 12,5 |
| 500 | 386 | - | X | X | X | 914,0 | 991,0 | - | 433,0 | 480,0 | 508,0 | 12,5 |
| 600 | 488 | - | X | X | X | 1067,0 | 1143,0 | - | 561,0 | 570,0 | 610,0 | 12,5 |
| 700 | 588 | - | X | X | X | 1245,0 | 1346,0 | - | 654,0 | 682,0 | 711,0 | 14,2 |
| 800 | 684 | - | X | X | X | 1372,0 | 1524,0 | - | 806,0 | 790,0 | 813,0 | 16,0 |

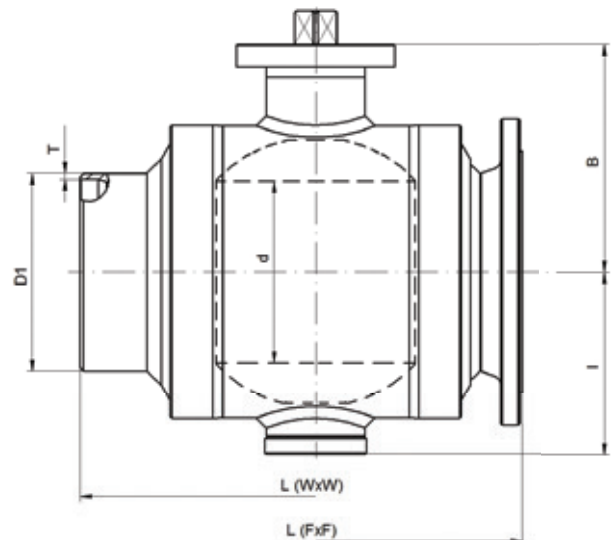
WEIGHT [kg]

| DN | FxF | | | WxW | | | GxG | | |
|-----|--------|--------|--------|--------|--------|--------|-------|-------|-------|
| | PN 16 | PN 25 | PN 40 | PN 16 | PN 25 | PN 40 | PN 16 | PN 25 | PN 40 |
| 250 | 185,0 | 195,0 | 207,0 | 152,0 | 152,0 | 152,0 | - | - | - |
| 300 | 299,0 | 312,0 | 336,0 | 255,0 | 255,0 | 255,0 | - | - | - |
| 350 | 486,0 | 512,0 | 541,0 | 442,0 | 442,0 | 442,0 | - | - | - |
| 400 | 644,0 | 679,0 | 731,0 | 583,0 | 583,0 | 583,0 | - | - | - |
| 500 | 1214,0 | 1251,0 | 1290,0 | 1094,0 | 1094,0 | 1094,0 | - | - | - |
| 600 | 2050,0 | 2070,0 | 2227,0 | 1802,0 | 1802,0 | 1802,0 | - | - | - |
| 700 | 3217,0 | 3299,0 | 3505,0 | 3083,0 | 3083,0 | 3083,0 | - | - | - |
| 800 | 4652,0 | 4757,0 | 5044,0 | 4455,0 | 4455,0 | 4455,0 | - | - | - |

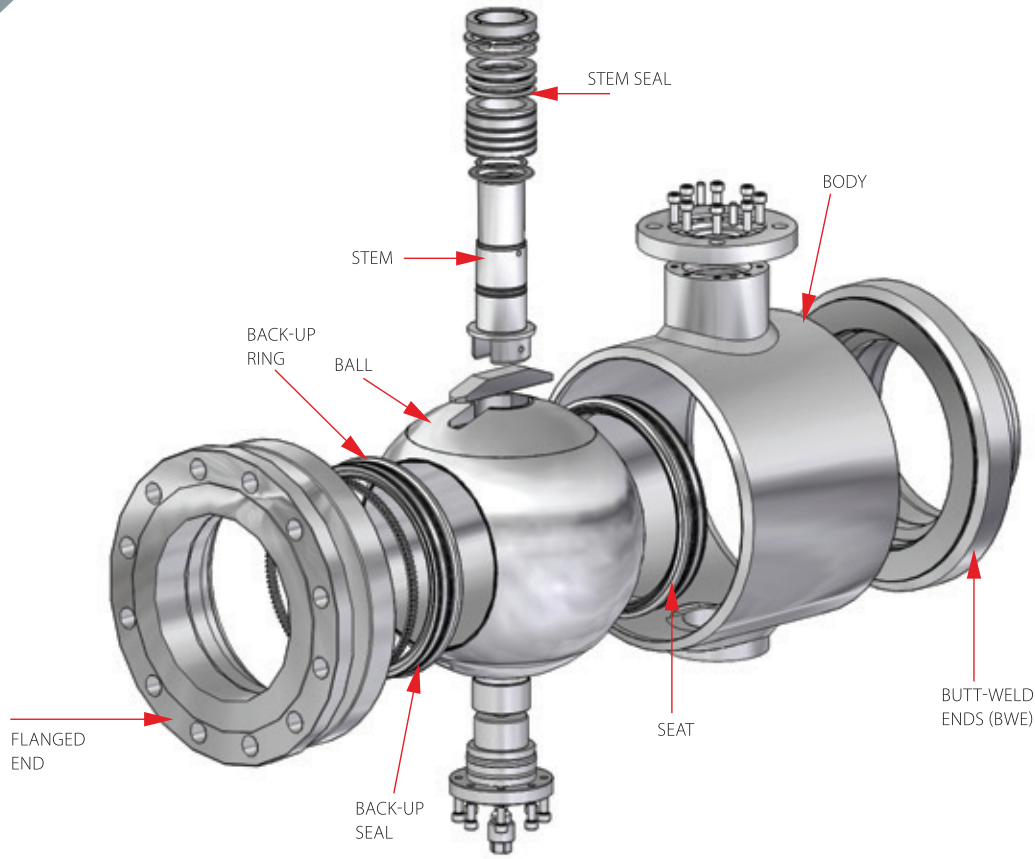
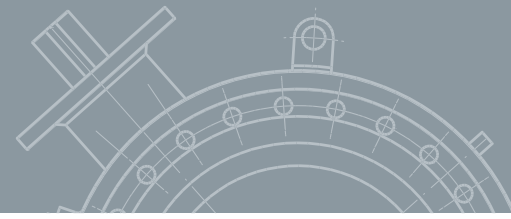
ADDITIONAL COMMENTS:

Flange dimension acc. to EN 1092-1
 Flanges standard sealing surface: B2 acc. to EN 1092-1
 Butt-Weld Ends acc. to EN 12627
 Dimensions D1 and T to agree

X = Available
 F = Floating ball
 t = Trunnion mounted ball
 DBB = Double Block and Bleed
 IS = Injection System
 FxF = Flanged ends
 WxW = Butt-Weld ends
 GxG = Threaded ends



BALL VALVE CLASS 150



MATERIALS

| NPS | BODY | FLANGED END | BUTT-WELD ENDS (BWE) | BALL | STEM | BACK-UP RING | SEAT | BACK-UP SEAL | STEM SEAL |
|--------|---|--------------------------------|---|---------------------------|-----------------------|-----------------------------|-----------------|------------------------------------|---|
| 1/2" | P355NH; P355NL1; S355J2; S355J2H | P355NH; P355NL1; S355J2; | P355NH; P355NL1; S355J2; S355J2H | X5CrNi18-10 (AISI 304) | X20Cr13 (AISI 420) | CS + Ni-Cr SS CS + EN | PTFE; PTFE+C | HNBR; EPDM; FKM; Graphite | HNBR; EPDM; FKM; Graphite; PTFE |
| 3/4" | | | | | | | | | |
| 1" | | | | | | | | | |
| 1 1/4" | | | | | | | | | |
| 1 1/2" | | | | | | | | | |
| 2" | | | | | | | | | |
| 2 1/2" | P355NH; P355NL1; S355J2; S355J2H | P355NH; P355QH | P355NH; P355NL1; S355J2; S355J2H | A350 LF2 + EN | X20Cr13 (AISI 420) | CS + Ni-Cr SS CS + EN | PTFE; PTFE+C | HNBR; EPDM; FKM; Graphite | HNBR; EPDM; FKM; Graphite; PTFE |
| 3" | | | | | | | | | |
| 4" | | | | | | | | | |
| 6" | | | | | | | | | |
| 8" | | | | | | | | | |
| 10" | | | | | | | | | |
| 12" | | | | | | | | | |
| 14" | | | | | | | | | |
| 16" | | | | | | | | | |
| 20" | | | | | | | | | |
| 24" | | | | | | | | | |
| 28" | | | | | | | | | |
| 32" | | | | | | | | | |

| CLASSIFICATION OF THE PRODUCTS | TYPE | SCOPE |
|---|------------------------------|---------------|
| BALL VALVE FROM CARBON STEEL, FULL BORE, CLASS 150 | AH-2c-MK, AH-2c-MP, AH-2c-MG | NPS 1/2"-1" |
| | AH-2c, AH-2cp, AH-2cg | NPS 1 1/4"-3" |
| | AH-11c, AH-12c | NPS 4"-6" |
| | AH-14c, AH-15c | NPS 8"-32" |

TEMPERATURE RANGE [°C]

t = -29°C ÷ +100°C
t = -40°C ÷ +100°C
t = -20°C ÷ +150°C
t = -10°C ÷ +200°C

DIMENSIONS [mm]

| NPS | d | F | t | DBB | IS | L | | | B | I | D1 | T |
|--------|-----|---|---|--------|--------|--------|--------|-------|-------|-------|-------|------|
| | | | | | | FxF | WxW | GxG | | | | |
| 1/2" | 15 | X | - | - | - | 108,0 | 140,0 | 100,0 | 37,0 | 21,0 | 21,3 | 3,2 |
| 3/4" | 20 | X | - | - | - | 117,0 | 152,0 | 110,0 | 40,0 | 24,0 | 26,9 | 3,6 |
| 1" | 25 | X | - | - | - | 127,0 | 165,0 | 135,0 | 48,0 | 30,0 | 35,0 | 5,0 |
| 1 1/4" | 32 | X | - | - | - | 140,0 | 178,0 | 150,0 | 83,0 | 35,0 | 42,4 | 3,6 |
| 1 1/2" | 40 | X | - | - | - | 165,0 | 190,0 | 160,0 | 87,0 | 40,0 | 48,3 | 3,6 |
| 2" | 50 | X | X | OPTION | - | 178,0 | 216,0 | 160,0 | 95,0 | 48,0 | 60,3 | 4,0 |
| 2 1/2" | 64 | X | - | - | - | 190,0 | 241,0 | 210,0 | 122,0 | 59,0 | 76,1 | 5,0 |
| 3" | 78 | X | X | OPTION | - | 203,0 | 283,0 | - | 130,0 | 71,0 | 88,9 | 5,6 |
| 4" | 101 | X | - | - | - | 229,0 | 305,0 | - | 173,0 | 90,0 | 114,3 | 6,0 |
| 6" | 152 | X | X | OPTION | OPTION | 394,0 | 457,0 | - | 253,0 | 137,0 | 168,3 | 7,1 |
| 8" | 202 | - | X | X | OPTION | 457,0 | 521,0 | - | 252,0 | 203,0 | 219,1 | 8,8 |
| 10" | 253 | - | X | X | OPTION | 533,0 | 599,0 | - | 315,0 | 248,0 | 273,0 | 10,0 |
| 12" | 304 | - | X | X | OPTION | 610,0 | 635,0 | - | 355,0 | 288,0 | 323,9 | 10,0 |
| 14" | 336 | - | X | X | OPTION | 686,0 | 762,0 | - | 378,0 | 311,0 | 355,6 | 11,0 |
| 16" | 386 | - | X | X | X | 762,0 | 838,0 | - | 433,0 | 480,0 | 406,4 | 12,5 |
| 20" | 488 | - | X | X | X | 914,0 | 991,0 | - | 561,0 | 570,0 | 508,0 | 12,5 |
| 24" | 588 | - | X | X | X | 1067,0 | 1143,0 | - | 654,0 | 682,0 | 610,0 | 12,5 |
| 28" | 684 | - | X | X | X | 1245,0 | 1346,0 | - | 806,0 | 790,0 | 711,0 | 14,2 |
| 32" | 780 | - | X | X | X | 1372,0 | 1524,0 | - | 890,0 | 900,0 | 813,0 | 16,0 |

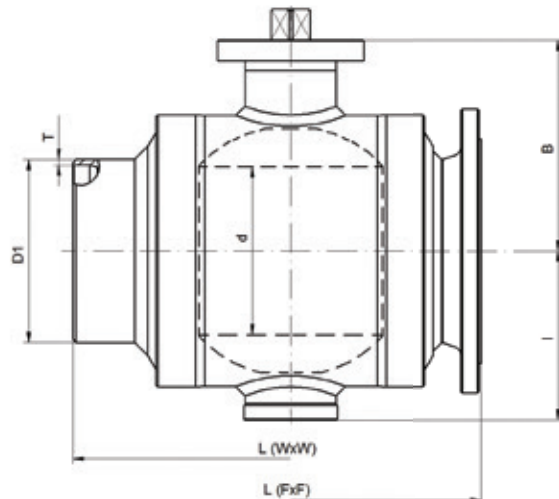
WEIGHT [kg]

| NPS | FxF | WxW | GxG |
|--------|--------|--------|--------|
| | CL 150 | CL 150 | CL 150 |
| 1/2" | 2,0 | 1,2 | 1,2 |
| 3/4" | 2,7 | 1,6 | 1,5 |
| 1" | 4,4 | 3,0 | 3,1 |
| 1 1/4" | 4,5 | 2,7 | 2,8 |
| 1 1/2" | 6,5 | 3,5 | 3,9 |
| 2" | 9,1 | 4,8 | 5,1 |
| 2 1/2" | 14,9 | 8,4 | 9,4 |
| 3" | 18,9 | 13,5 | - |
| 4" | 35,0 | 28,0 | - |
| | 46,0 | 30,0 | |
| 6" | 97,0 | 79,0 | - |
| | 99,0 | 81,0 | |
| 8" | 148,0 | 130,0 | - |
| 10" | 273,0 | 240,0 | - |
| 12" | 467,0 | 421,0 | - |
| 14" | 594,0 | 557,0 | - |
| 16" | 970,0 | 900,0 | - |
| 20" | 1700,0 | 1610,0 | - |
| 24" | 2740,0 | 2570,0 | - |
| 28" | 4360,0 | 4126,0 | - |
| 32" | 6296,0 | 6145,0 | - |

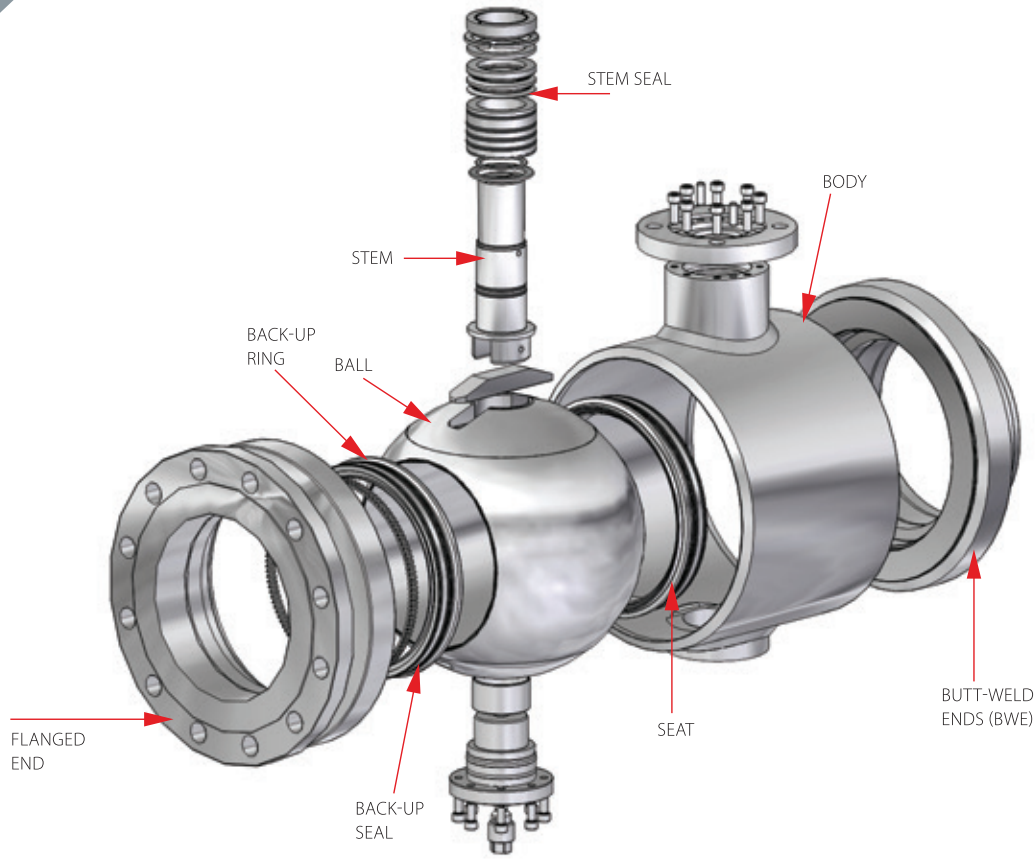
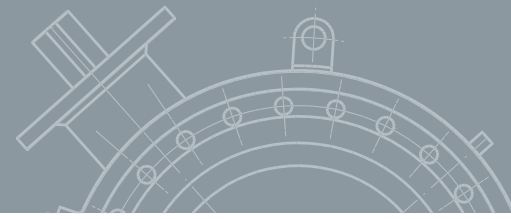
ADDITIONAL COMMENTS:

Flange dimension acc. to EN 1759-1; ASME B 16.5; ASME B 16.47
 Flanges standard sealing surface: B acc. to EN 1759-1; RF acc. to ASME B 16.5, ASME B 16.47
 Butt-Weld Ends acc. to EN 12627
 Dimensions D1 and T to agree
 Threaded end acc. to ISO 228-1 or ASME B1.20.1

X = Available
 F = Floating ball
 t = Trunnion mounted ball
 DBB = Double Block and Bleed
 IS = Injection System
 FxF = Flanged ends
 WxW = Butt-Weld ends
 GxG = Threaded ends



BALL VALVE CLASS 300



MATERIALS

| NPS | BODY | FLANGED END | BUTT-WELD ENDS (BWE) | BALL | STEM | BACK-UP RING | SEAT | BACK-UP SEAL | STEM SEAL |
|--------|---|--------------------------------|---|---------------------------|-----------------------|-----------------------------|-----------------|------------------------------------|---|
| 1/2" | P355NH; P355NL1; S355J2; S355J2H | P355NH; P355NL1; S355J2; | P355NH; P355NL1; S355J2; S355J2H | X5CrNi18-10 (AISI 304) | X20Cr13 (AISI 420) | CS + Ni-Cr SS CS + EN | PTFE; PTFE+C | HNBR; EPDM; FKM; Graphite | HNBR; EPDM; FKM; Graphite; PTFE |
| 3/4" | | | | | | | | | |
| 1" | | | | | | | | | |
| 1 1/4" | | | | | | | | | |
| 1 1/2" | | | | | | | | | |
| 2" | P355NH; P355NL1; S355J2; S355J2H | P355NH; P355QH | P355NH; P355NL1; S355J2; S355J2H | A350 LF2 + EN | X20Cr13 (AISI 420) | CS + Ni-Cr SS CS + EN | PTFE; PTFE+C | HNBR; EPDM; FKM; Graphite | HNBR; EPDM; FKM; Graphite; PTFE |
| 2 1/2" | | | | | | | | | |
| 3" | | | | | | | | | |
| 4" | | | | | | | | | |
| 6" | | | | | | | | | |
| 8" | | | | | | | | | |
| 10" | | | | | | | | | |
| 12" | | | | | | | | | |
| 14" | | | | | | | | | |
| 16" | | | | | | | | | |
| 20" | | | | | | | | | |
| 24" | | | | | | | | | |
| 28" | | | | | | | | | |
| 32" | | | | | | | | | |

| CLASSIFICATION OF THE PRODUCTS | TYPE | SCOPE |
|---|------------------------------|---------------|
| BALL VALVE FROM CARBON STEEL, FULL BORE, CLASS 300 | AH-2c-MK, AH-2c-MP, AH-2c-MG | NPS 1/2"-1" |
| | AH-2c, AH-2cp, AH-2cg | NPS 1 1/4"-3" |
| | AH-11c, AH-12c | NPS 4"-6" |
| | AH-14c, AH-15c | NPS 8"-32" |

TEMPERATURE RANGE [°C]

t= -29°C ÷ +100°C
t= -40°C ÷ +100°C
t= -20°C ÷ +150°C
t= -10°C ÷ +200°C

DIMENSIONS [mm]

| NPS | d | F | t | DBB | IS | L | | | B | I | D1 | T |
|--------|-----|---|---|--------|--------|--------|--------|-------|-------|-------|-------|------|
| | | | | | | FxF | WxW | GxG | | | | |
| 1/2" | 15 | X | - | - | - | 140,0 | 140,0 | 100,0 | 37,0 | 21,0 | 21,3 | 3,2 |
| 3/4" | 20 | X | - | - | - | 152,0 | 152,0 | 110,0 | 40,0 | 24,0 | 26,9 | 3,6 |
| 1" | 25 | X | - | - | - | 165,0 | 165,0 | 135,0 | 48,0 | 30,0 | 35,0 | 5,0 |
| 1 1/4" | 32 | X | - | - | - | 178,0 | 178,0 | 150,0 | 83,0 | 35,0 | 42,4 | 3,6 |
| 1 1/2" | 40 | X | - | - | - | 190,0 | 190,0 | 160,0 | 87,0 | 40,0 | 48,3 | 3,6 |
| 2" | 50 | X | X | OPTION | - | 216,0 | 216,0 | 160,0 | 95,0 | 48,0 | 60,3 | 4,0 |
| 2 1/2" | 64 | X | - | - | - | 241,0 | 241,0 | 210,0 | 122,0 | 59,0 | 76,1 | 5,0 |
| 3" | 78 | X | X | OPTION | - | 283,0 | 283,0 | - | 130,0 | 71,0 | 88,9 | 5,6 |
| 4" | 101 | X | - | - | - | 305,0 | 305,0 | - | 173,0 | 90,0 | 114,3 | 6,0 |
| 6" | 152 | X | X | OPTION | OPTION | 403,0 | 457,0 | - | 253,0 | 137,0 | 168,3 | 7,1 |
| 8" | 202 | - | X | X | OPTION | 502,0 | 521,0 | - | 252,0 | 203,0 | 219,1 | 8,8 |
| 10" | 253 | - | X | X | OPTION | 568,0 | 559,0 | - | 315,0 | 248,0 | 273,0 | 10,0 |
| 12" | 304 | - | X | X | OPTION | 648,0 | 635,0 | - | 355,0 | 288,0 | 323,9 | 10,0 |
| 14" | 336 | - | X | X | OPTION | 762,0 | 762,0 | - | 394,0 | 311,0 | 355,6 | 11,0 |
| 16" | 386 | - | X | X | X | 838,0 | 838,0 | - | 433,0 | 480,0 | 406,4 | 12,5 |
| 20" | 488 | - | X | X | X | 991,0 | 991,0 | - | 561,0 | 570,0 | 508,0 | 12,5 |
| 24" | 588 | - | X | X | X | 1143,0 | 1143,0 | - | 654,0 | 682,0 | 610,0 | 12,5 |
| 28" | 684 | - | X | X | X | 1346,0 | 1346,0 | - | 806,0 | 790,0 | 711,0 | 14,2 |
| 32" | 780 | - | X | X | X | 1524,0 | 1524,0 | - | 890,0 | 900,0 | 813,0 | 16,0 |

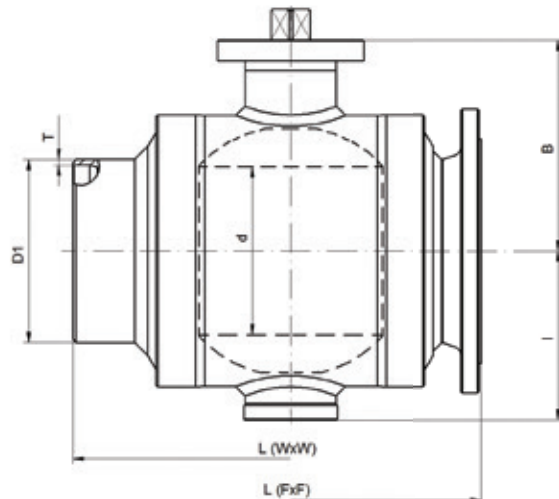
WEIGHT [kg]

| NPS | FxF | WxW | GxG |
|--------|--------|--------|--------|
| | CL 300 | CL 300 | CL 300 |
| 1/2" | 2,5 | 1,2 | 1,2 |
| 3/4" | 3,9 | 1,6 | 1,5 |
| 1" | 5,7 | 3,0 | 3,1 |
| 1 1/4" | 6,3 | 2,7 | 2,8 |
| 1 1/2" | 8,6 | 3,5 | 3,9 |
| 2" | 10,8 | 4,8 | 5,1 |
| 2 1/2" | 17,3 | 8,4 | 9,4 |
| 3" | 26,2 | 13,5 | - |
| 4" | 48,0 | 28,0 | - |
| | 58,0 | 30,0 | |
| 6" | 111,0 | 79,0 | - |
| | 113,0 | 81,0 | |
| 8" | 175,0 | 130,0 | - |
| 10" | 310,0 | 240,0 | - |
| 12" | 516,0 | 421,0 | - |
| 14" | 694,0 | 557,0 | - |
| 16" | 1080,0 | 900,0 | - |
| 20" | 1865,0 | 1610,0 | - |
| 24" | 2990,0 | 2570,0 | - |
| 28" | 4678,0 | 4126,0 | - |
| 32" | 7318,0 | 6145,0 | - |

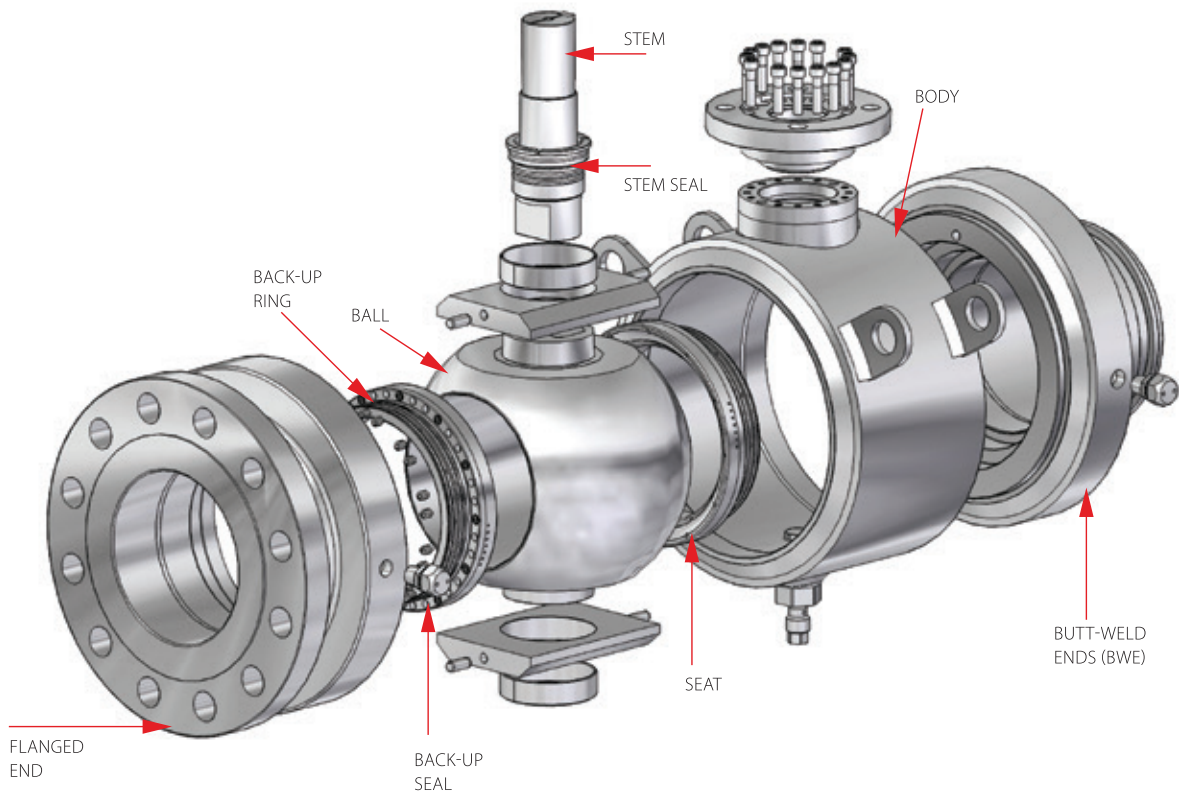
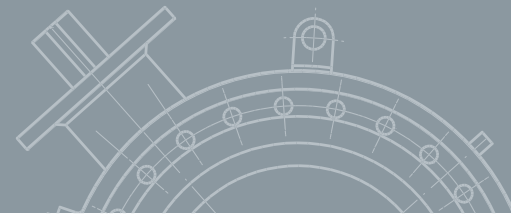
ADDITIONAL COMMENTS:

Flange dimension acc. to EN 1759-1; ASME B 16.5; ASME B 16.47
 Flanges standard sealing surface: B acc. to EN 1759-1; RF acc. to ASME B 16.5, ASME B 16.47
 Butt-Weld Ends acc. to EN 12627
 Dimensions D1 and T to agree
 Threaded end acc. to ISO 228-1 or ASME B1.20.1

X = Available
 F = Floating ball
 t = Trunnion mounted ball
 DBB = Double Block and Bleed
 IS = Injection System
 FxF = Flanged ends
 WxW = Butt-Weld ends
 GxG = Threaded ends



BALL VALVE CLASS 600



MATERIALS

| NPS | BODY | FLANGED END | BUTT-WELD ENDS (BWE) | BALL | STEM | BACK-UP RING | SEAT | BACK-UP SEAL | STEM SEAL |
|--------|---|-------------|---|-------------------------------|-----------------------|-----------------------|--------|------------------------------------|------------------------------------|
| 1/2" | P355NH; P355NL1; S355J2; S355J2H | | P355NH; P355NL1; S355J2; S355J2H | X5CrNi18-10 (AISI 304) | | CS + Ni-Cr SS | PTFE+C | | |
| 3/4" | | | | | | | | | |
| 1" | | | | | | | | | |
| 1 1/4" | | | | | | | | | |
| 1 1/2" | | | | | | | | | |
| 2" | | | | | | | | | |
| 2 1/2" | P355NH; P355NL1; P355QH; S355J2; | | P355NH; P355NL1; S355J2; S355J2H | S355J2 + EN; A350 LF2 + EN | X20Cr13 (AISI 420) | | | HNBR; EPDM; FKM; Graphite | HNBR; EPDM; FKM; Graphite |
| 3" | | | | | | | | | |
| 4" | | | | | | | | | |
| 6" | | | | | | | | | |
| 8" | A350LF2; P355NH; P355QH P420NL1 | | P355NH; P355NL1; S355J2; S355J2H | A350 LF2 + EN | | CS + Ni-Cr CS + EN | HNBR | | |
| 10" | | | | | | | | | |
| 12" | | | | | | | | | |
| 14" | | | | | | | | | |
| 16" | | | | | | | | | |
| 20" | | | | | | | | | |
| 24" | | | | | | | | | |
| 28" | | | | | | | | | |

| CLASSIFICATION OF THE PRODUCTS | TYPE | SCOPE |
|---|--------------------|-------------------|
| BALL VALVE FROM CARBON STEEL, FULL BORE, CLASS 600 | AH-3, AH-3p, AH-3G | NPS 1/2"-1" |
| | AH-3, AH-3p | NPS 1 1/4"-1 1/2" |
| | AH-3j, AH-3pj | NPS 2"-2 1/2" |
| | AH-4w, AH-4pw | NPS 3"-28" |

TEMPERATURE RANGE [°C]

t = -29°C ÷ +100°C

t = -40°C ÷ +100°C

DIMENSIONS [mm]

| NPS | d | F | t | DBB | IS | L | | | B | I | D1 | T |
|--------|-----|--------|--------|--------|--------|--------|--------|--------|-------|--------------|-------|------|
| | | | | | | FxF | WxW | GxG | | | | |
| 1/2" | 15 | X | - | - | - | 165,0 | 165,0 | 100,0 | 44,0 | 21,0 | 21,3 | 2,9 |
| 3/4" | 20 | X | - | - | - | 190,0 | 190,0 | 110,0 | 47,0 | 24,0 | 26,9 | 3,2 |
| 1" | 25 | X | - | - | - | 216,0 | 216,0 | 135,0 | 60,0 | 30,0 | 35,0 | 4,5 |
| 1 1/4" | 32 | X | - | - | - | 229,0 | 229,0 | - | 83,0 | 38,0 | 44,5 | 5,0 |
| 1 1/2" | 40 | X | - | - | - | 241,0 | 241,0 | - | 87,0 | 45,0 | 51,0 | 5,0 |
| 2" | 50 | X - | - X | - X | - - | 292,0 | 292,0 | - - | 121,0 | 53,0 63,0 | 60,3 | 5,0 |
| 2 1/2" | 64 | X - | - X | - - | - - | 330,0 | 330,0 | - - | 132,0 | 67,0 75,0 | 76,1 | 7,1 |
| 3" | 78 | - | X | X | OPTION | 356,0 | 356,0 | - | 143,0 | 124,0 | 88,9 | 6,3 |
| 4" | 101 | - | X | X | OPTION | 432,0 | 432,0 | - | 169,0 | 141,0 | 114,3 | 7,1 |
| 6" | 152 | - | X | X | X | 559,0 | 559,0 | - | 228,0 | 190,0 | 168,3 | 8,0 |
| 8" | 202 | - | X | X | X | 660,0 | 660,0 | - | 290,0 | 350,0 | 219,1 | 8,8 |
| 10" | 253 | - | X | X | X | 787,0 | 787,0 | - | 328,0 | 430,0 | 273,0 | 10,0 |
| 12" | 304 | - | X | X | X | 838,0 | 838,0 | - | 395,0 | 470,0 | 323,9 | 10,0 |
| 14" | 335 | - | X | X | X | 889,0 | 889,0 | - | 416,0 | 490,0 | 355,6 | 12,5 |
| 16" | 387 | - | X | X | X | 991,0 | 991,0 | - | 488,0 | 528,0 | 406,4 | 14,2 |
| 20" | 489 | - | X | X | X | 1194,0 | 1194,0 | - | 607,0 | 602,0 | 508,0 | 16,0 |
| 24" | 589 | - | X | X | X | 1397,0 | 1397,0 | - | 722,0 | 795,0 | 610,0 | 16,0 |
| 28" | 684 | - | X | X | X | 1549,0 | 1549,0 | - | 796,0 | 880,0 | 711,0 | 17,5 |

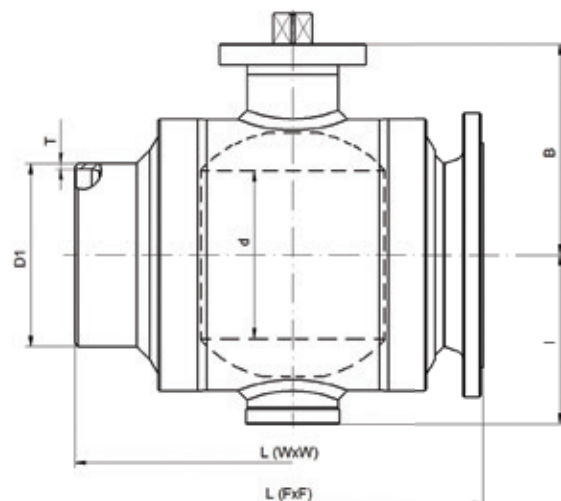
WEIGHT [kg]

| NPS | FxF | WxW | GxG |
|--------|--------------|--------------|--------|
| | CL 600 | CL 600 | CL 600 |
| 1/2" | 2,9 | 1,4 | 1,2 |
| 3/4" | 4,6 | 2,0 | 1,6 |
| 1" | 6,8 | 3,7 | 3,1 |
| 1 1/4" | 11,9 | 5,8 | - |
| 1 1/2" | 16,1 | 7,9 | - |
| 2" | 20,0 | 10,6 19,0 | - - |
| 2 1/2" | 31,0 36,0 | 14,3 15,0 | - - |
| 3" | 40,0 | 25,0 | - |
| 4" | 84,0 | 48,0 | - |
| 6" | 178,0 | 116,0 | - |
| 8" | 402,0 | 318,0 | - |
| 10" | 680,0 | 512,0 | - |
| 12" | 1029,0 | 854,0 | - |
| 14" | 1237,0 | 1052,0 | - |
| 16" | 1818,0 | 1565,0 | - |
| 20" | 3239,0 | 2863,0 | - |
| 24" | 4216,0 | 3132,0 | - |
| 28" | 5910,0 | 4608,0 | - |

ADDITIONAL COMMENTS:

Flange dimension acc. to EN 1759-1; ASME B 16.5, ASME B 16.47
 Flanges standard sealing surface: B acc. to EN 1759-1;
 RF acc. to ASME B 16.5, ASME B 16.47
 Butt-Weld Ends acc. to EN 12627
 Dimensions D1 and T to agree
 Threaded end acc. to ISO 228-1 or ASME B1.20.1

X = Available
 F = Floating ball
 t = Trunnion mounted ball
 DBB = Double Block and Bleed
 IS = Injection System
 FxF = Flanged ends
 WxW = Butt-Weld ends
 GxG = Threaded ends



ACCESSORIES

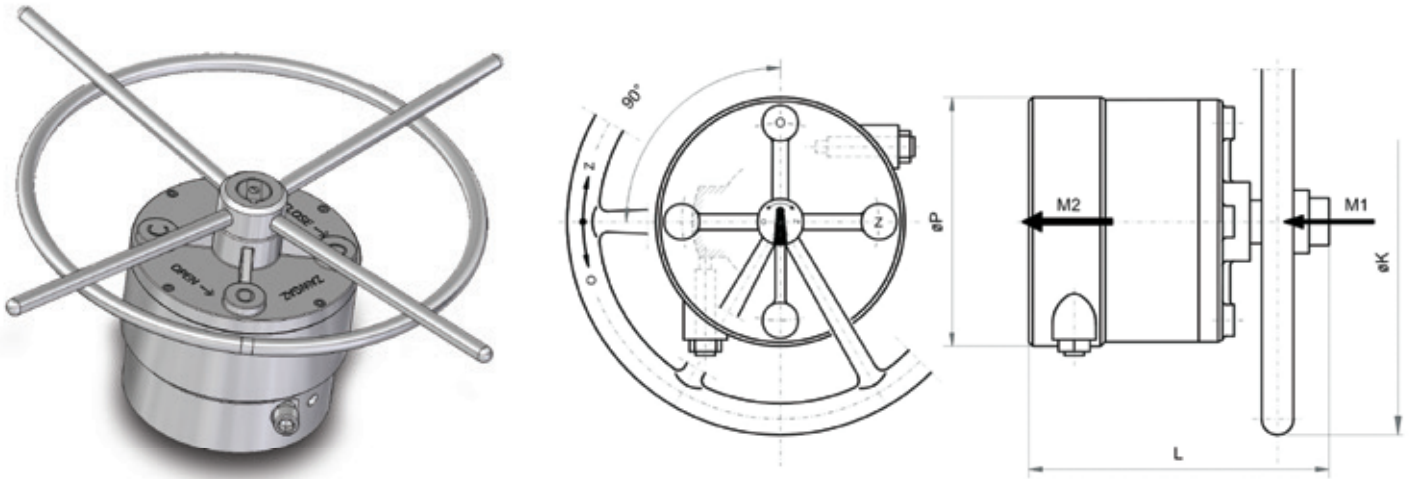
Planetary gear

The planetary gear, a product of Broen Oil & Gas, is used for manual actuation of ball valves and is substantially reduces the effort required for this operation.

The Open / Closed, end positions are enforced by bumpers which are set during the installation of the gear on the valve and are then protected against further changes to the initial settings.

The PO-27 planetary gear is a non-self-locking, two stage planetary gear, using cylindrical lubricated gears.

The planetary gears can also be installed on top of stem extension columns, or between the valves and the respective columns, thereby enabling the actuation of valves being installed on underground piping systems.

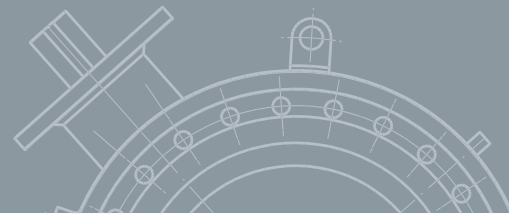


DIMENSIONS [mm]

| Type of gear | Transmission | M1 [Nm] | M2 [Nm] | t ^{ambient} [°C] | L [mm] | ØK [mm] | ØP [mm] | Maximum pressure exercised on the wheel 1 hand | Connection acc. to ISO 5211 | Housing for the stem and its depth [mm x mm] | ~ Weight [kg] |
|--------------|--------------|---------|---------|---------------------------|--------|---------|---------|--|---|---|---------------|
| PO-27/100 | 1:27 | 100,0 | 2 000,0 | -40 +150 | ~200,0 | 450,0 | 170,0 | 460,0 | F12 F14 | 22 x 35 or 27 x 40 or 36 x 50 | 18.0 |
| PO-27/200 | 1:27 | 200,0 | 4 000,0 | -40 +150 | ~270,0 | 650,0 | 220,0 | 660,0 | F14 F16 | 26 x 60 or Ø60 x 80 with insert 18 x 11 | 37.3 |
| PO-27/300 | 1:27 | 290,0 | 6 000,0 | -40 +150 | | 800,0 | 300,0 | 720,0 | F25 Ø72 x 110 with insert 20 x 12 | Ø72x110 with insert 20 x 12 | 54.5 |

M1 – inlet torque

M2 – outlet torque

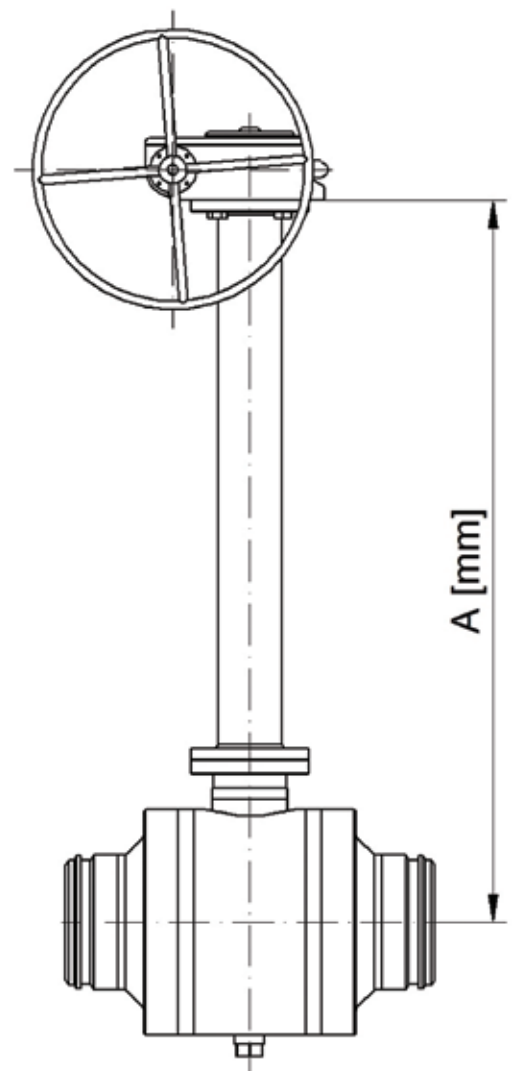


Columns

The stem extension columns are made according to the Broen Oil & Gas standard, or to a customer requested height. Rigid telescope type stem extensions are also available.

A lever, planetary or other type of gear or any other drive type (electric, pneumatic, hydraulic etc.) can be installed on top of the column. A planetary gear can also be installed directly on the valve, beneath the column.

The height of the stem extension column is counted from the valve axis to the top of the column (size „A“). This dimension should be included in the request for a quotation and in the purchase order.



BROEN OIL & GAS

Stara Droga 8, 62-002 Suchy Las, POLAND
contact@broen.com, www.broen.com